



INSTALLATION INSTRUCTIONS

Accessory
FULL NOSE MASK
P/N 08P35-SWA-100B

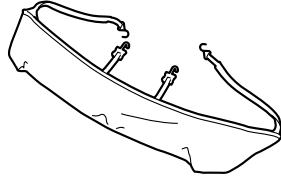
Application
2010 CR-V

Publications No.
All 42389
Issue Date
AUG 2009

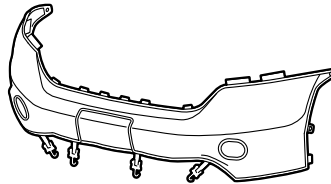
Put this instruction in the glove box with the vehicle owner's manual.

PARTS LIST

Mask (hood section)



Mask (bumper section)



2 Snap-screws A



2 Snap-screws B



2 Washers A (4 mm hole)



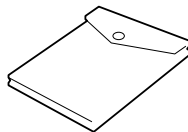
2 Washers B (6 mm hole)



2 Fenderwell nuts



Storage bag



TOOLS AND SUPPLIES REQUIRED

Stubby phillips screwdriver

Flat-tip screwdriver

Utility knife

INSTALLATION

Customer Information: The information in this installation instruction is intended for use only by skilled technicians who have the proper tools, equipment, and training to correctly and safely add equipment to your vehicle. These procedures should not be attempted by "do-it-yourselfers."

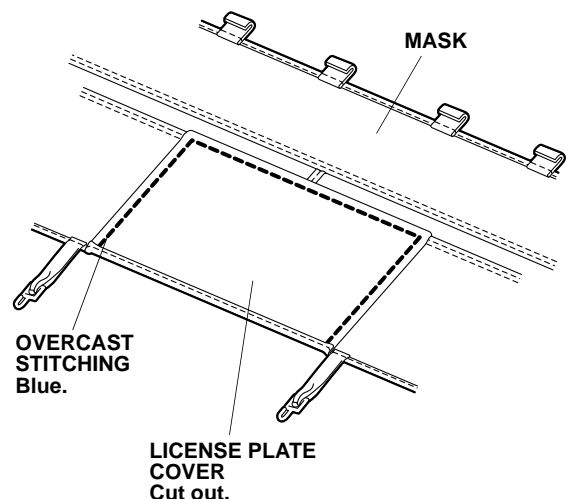
NOTE:

- Make sure the vehicle and the nose mask are clean and completely dry before installation. If moisture under the mask is allowed to dry, it may cloud the paint. If the mask gets wet, remove it and allow it to air-dry completely.
- Make sure any repainted surfaces are cured.
- Make sure the hood and nose of the vehicle have been waxed with a high-quality paste wax.
- Make sure to install the nose mask securely. If the nose mask starts to flap or comes loose while driving, safely pull off the highway, stop the vehicle, and secure or remove the mask.

Displaying the License Plate

If your state law requires the display of a front license plate, remove the piece of the bumper section that covers the front license plate:

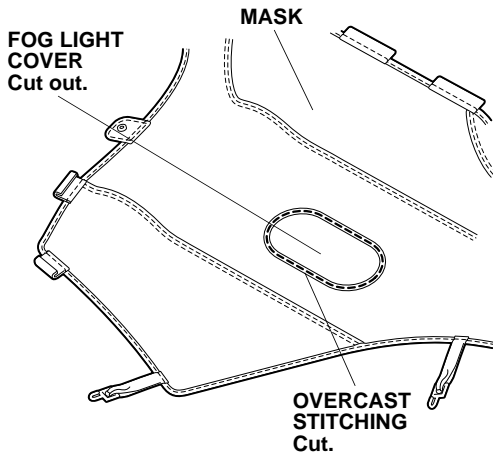
- Face the inside of the mask toward you.
- Carefully cut out the license plate section with scissors at the top seam, and remove the overcast stitching.



With Fog Lights

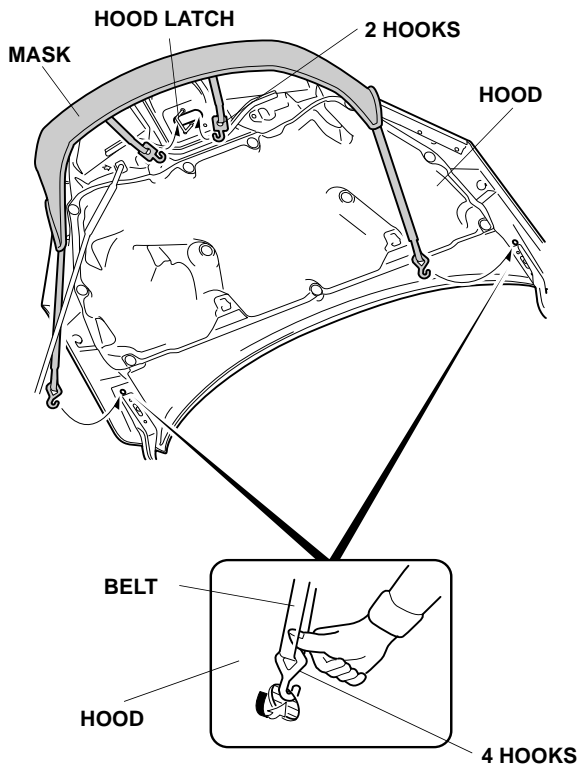
If the vehicle equipped with fog lights, remove the piece of the bumper section that covers the fog lights:

- Face the inside of the mask toward you.
- Carefully cut out the overcast stitching with a utility knife. Remove the stitching and the fog light cover.
- Repeat the same procedure on the other side.



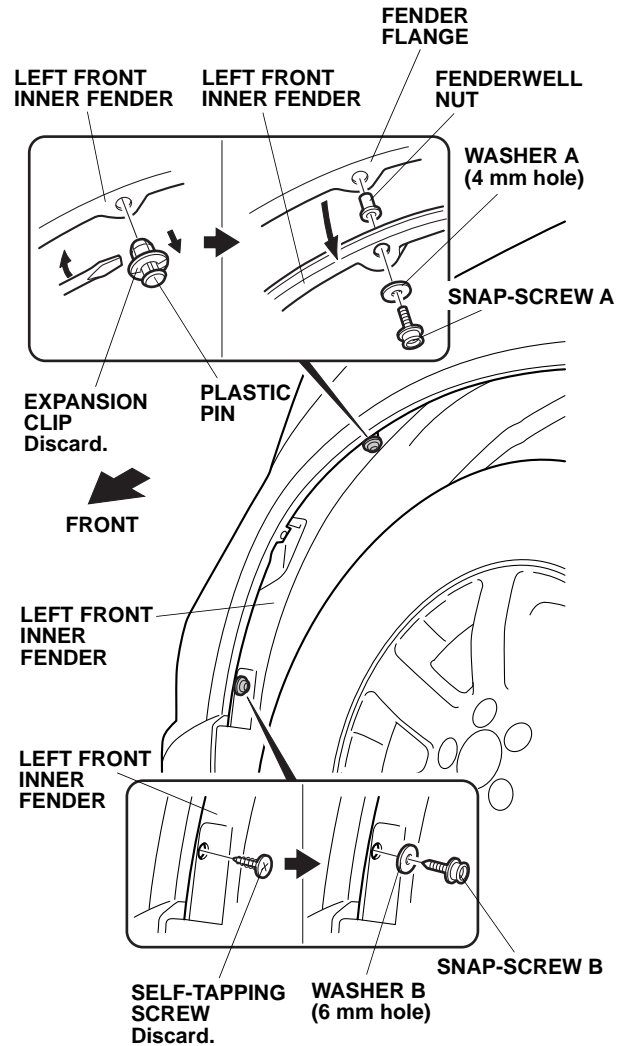
Installing the Hood Section

1. Open the hood. Fit the corners of the mask around the hood, and adjust the mask so that it fits smoothly over the edges. Attach four hooks to the hood. Remove and install the hooks by inserting your finger or thumb into the belt of each hook.



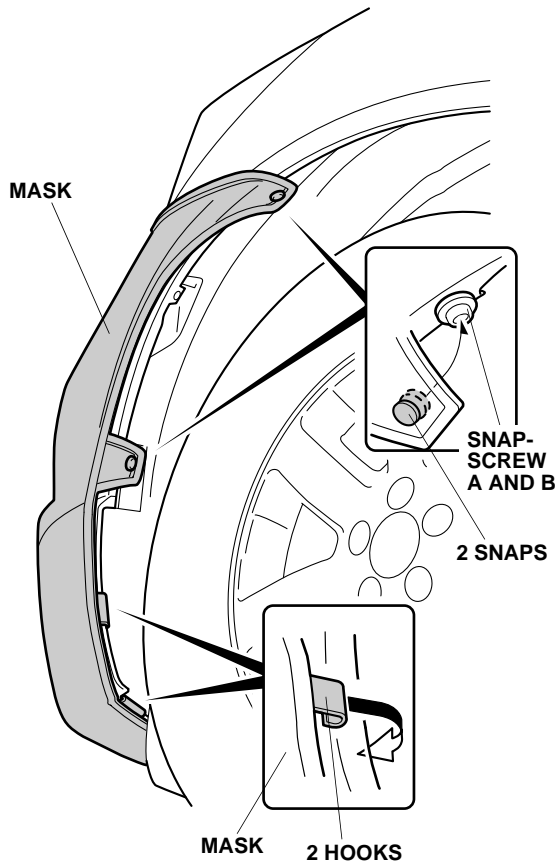
Installing the Bumper Section

2. Turn the steering wheel fully clockwise.
3. Pry out the plastic pin and remove the expansion clip that fastens the left front inner fender. Clean the area around the hole.

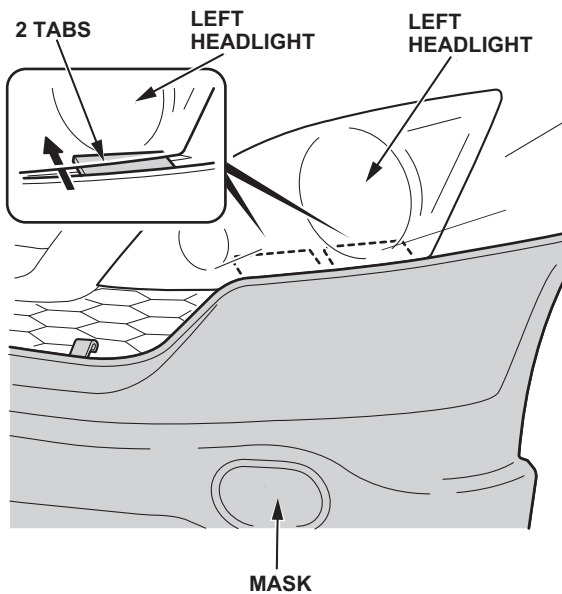


4. Pull back the left front inner fender, and press one fenderwell nut into the hole in the fender flange.
5. Install one snap-screw A with washer A into the fenderwell nut.
6. Remove one self-tapping screw from the left front fender, and install one snap-screw B with washer B in its place.
7. Turn the steering wheel all the way counterclockwise, and repeat steps 3 thru 6 to install the snap-screws on the right side of the vehicle.

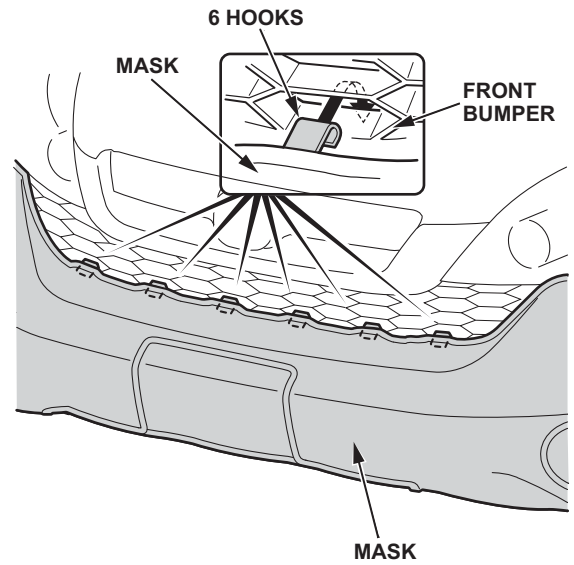
- To hold the mask in place, secure the two snaps on the left side of the mask to the two snap-screws, and attach the two hooks to the left fenderwell.



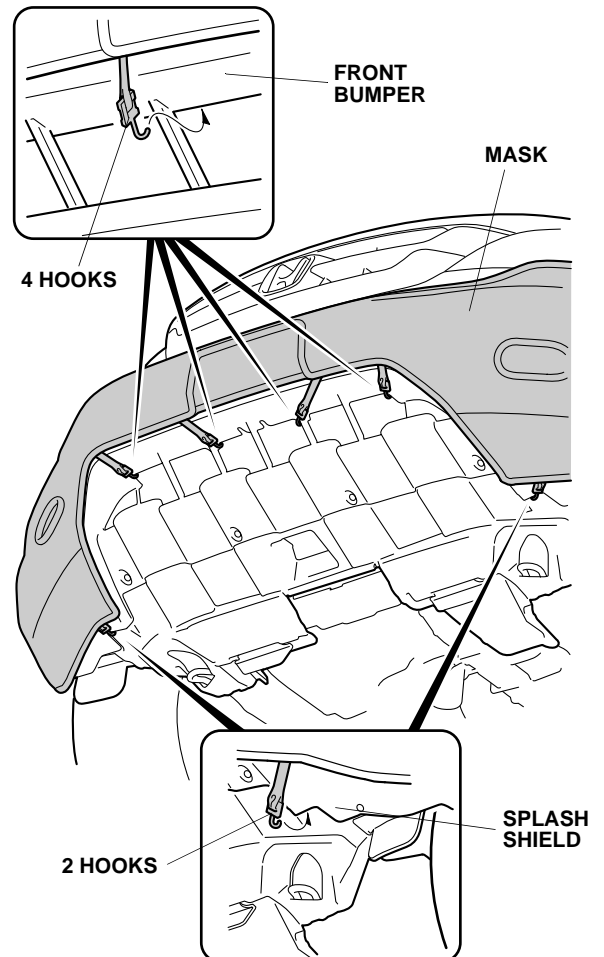
- Fit the mask across the bumper, and insert the two tabs below the left headlight. On the right side, insert the two tabs below the right headlight.



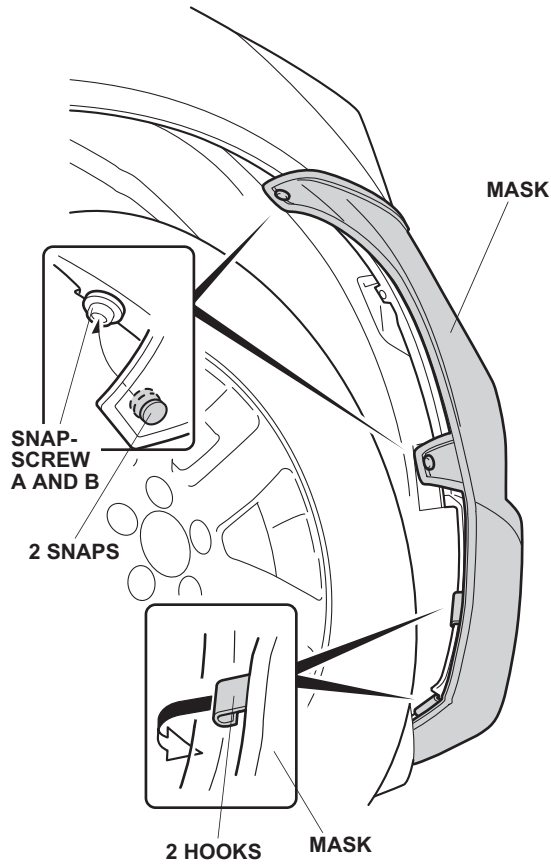
- Attach the six plastic hooks to the bumper through the grille.



- Attach the four center hooks to the bottom of the front bumper. Attach the two outboard hooks to the splash shield.



12. Pull the mask towards the right wheelwell, smooth out any wrinkles, and then snap the mask onto the snap-screws A and B.



13. Attach the two hooks to the fenderwell.

CLEANING THE NOSE MASK

Use a sponge or cloth and a solution of mild liquid dishwashing soap and water to clean the vinyl and the flannel backing. Rinse the mask completely with clean water, and hang it to dry out in direct sunlight. Make sure the mask is completely dry before you reinstall it.