



INSTALLATION INSTRUCTIONS

Accessory

**ROOF RACK
P/N 08L02-SDN-101W**

Application

**2005 ACCORD
2-DOOR**

Publications No.

All 27598

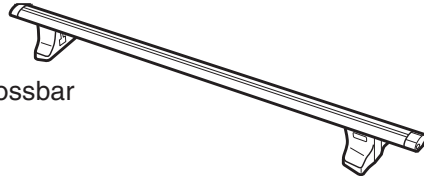
Issue Date

OCT 2004

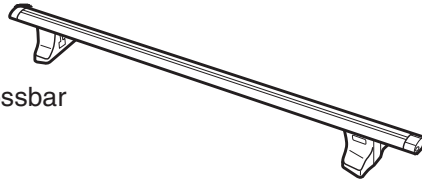
Put this information in the glove box with the vehicle owner's manual.

PARTS LIST

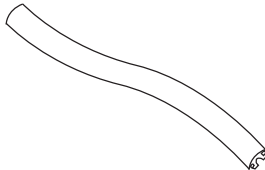
Front roof rack crossbar
(with lock)



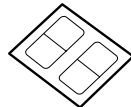
Rear roof rack crossbar
(without lock)



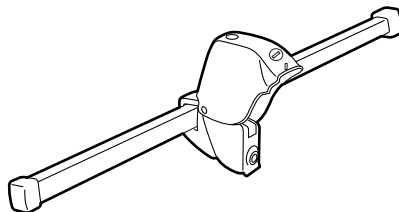
2 Rubber strips



Position labels



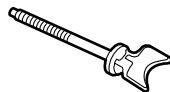
2 Assist bars



4 Hooks



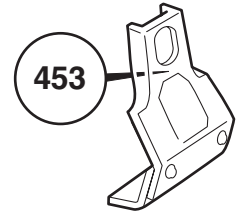
2 Bolts



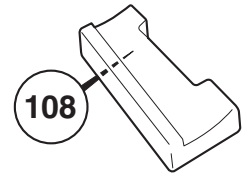
2 Keys



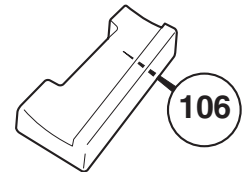
4 Brackets (453)



2 Rubber pads A (108)



2 Rubber pads B (106)



TOOLS AND SUPPLIES REQUIRED

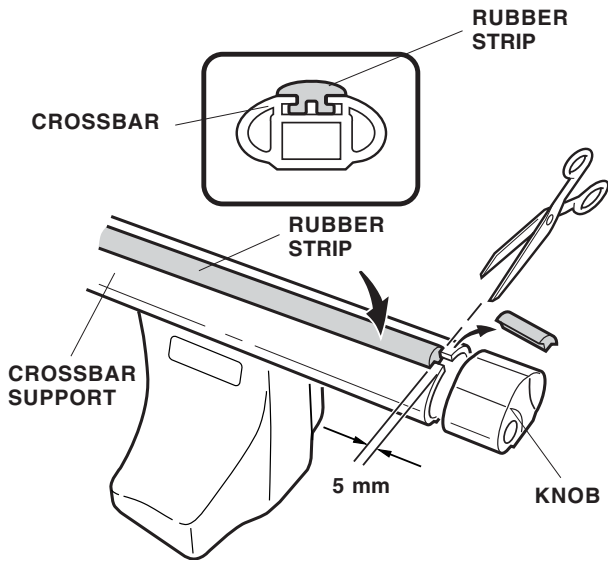
- Scissors
- Isopropyl alcohol
- Shop towel
- Felt-tip pen
- Tape measure

INSTALLATION

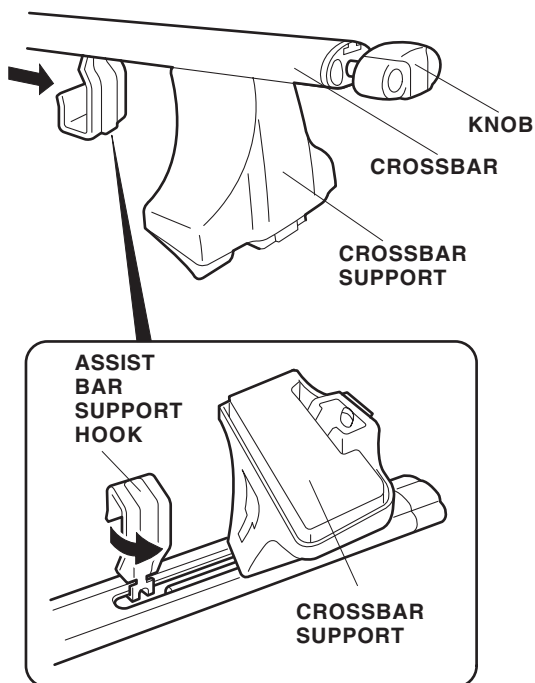
NOTE:

- Be careful not to damage the roof and other finished surfaces of the body when installing the roof carrier.
- The weight of cargo must not exceed the maximum weight capacity of the roof, which is 88 lb (40 kg).

1. On both ends of the front and rear crossbar, pull out the knob to expose the end of the crossbar.

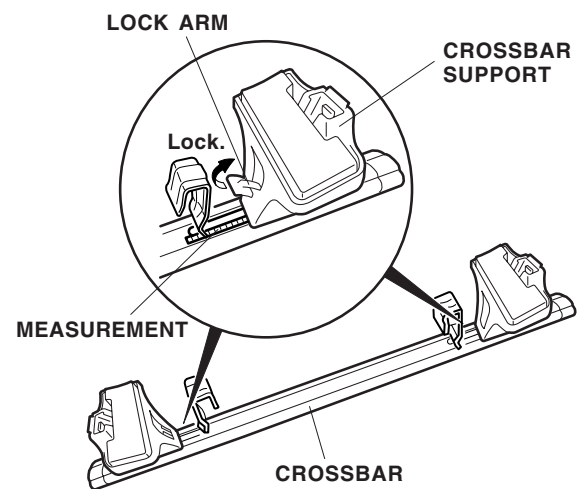


2. Insert a rubber strip (supplied) into the groove of the crossbar. Using scissors, cut off the excess rubber strip 5 mm away from the ends of the crossbar.
3. Repeat steps 1 and 2 for the other crossbar.
4. From the underside of the crossbars, slide the assist bar support hooks into the front and rear crossbars as shown.

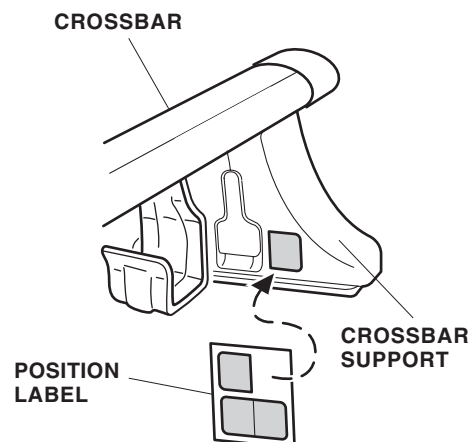


5. Adjust the distance between the two crossbar supports. Using the measurements on the crossbars, open the lock arm, and slide the supports in or out until the correct measurement is obtained. Close the lock arms to secure the crossbar supports.

Measurement	Driver's Side	Passenger's Side
Front (with lock)	35	34.5
Rear (without lock)	32.5	32

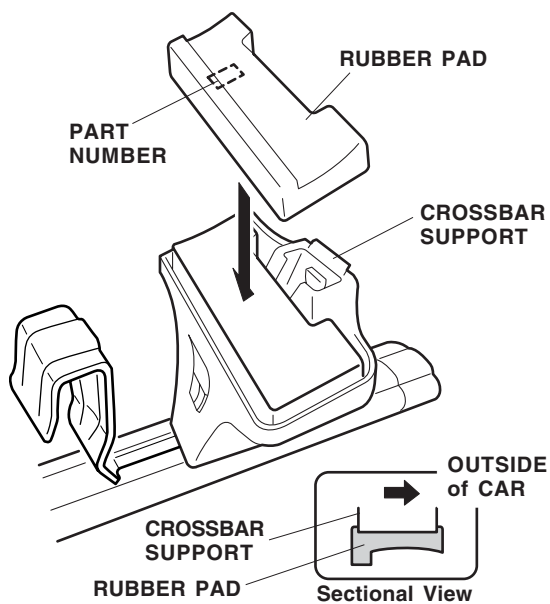


6. Using the measurement chart in step 5, identify where the position label will attach on each crossbar support.
7. Using isopropyl alcohol on a shop towel, clean the edge of the crossbar support where the position label will attach.

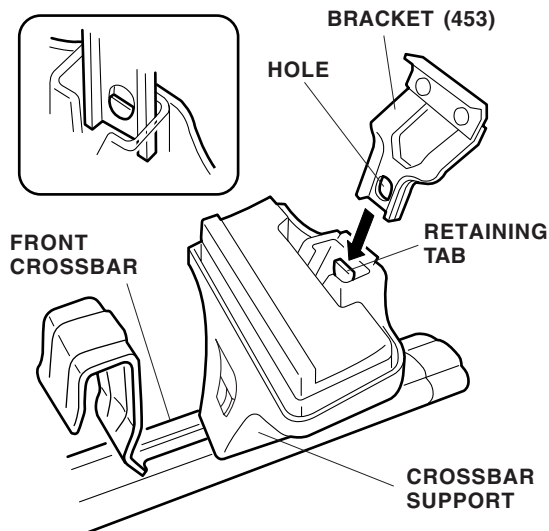


8. Install the rubber pads on the feet of the crossbar support. Each of the four rubber pads has its own location. Before installing the rubber pads, check that the part number shown on the bottom of the rubber pads agrees with those shown in the following table. Check that the pads engage with the feet securely, without lifting.

Part	Driver's Side	Passenger's Side
Front (with lock)	106	108
Rear (without lock)	108	106

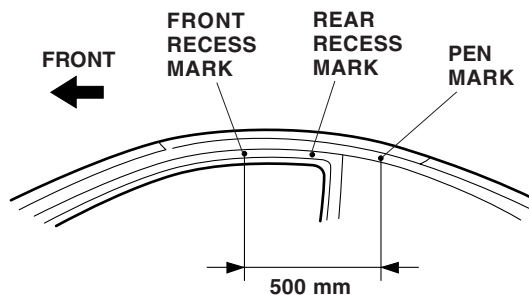


9. Slide the two brackets (marked 453) **only into the front crossbar supports** by aligning the holes in the brackets with the retaining tabs of the crossbar supports as shown, and click into place.



Installing the Roof Rack on the Vehicle

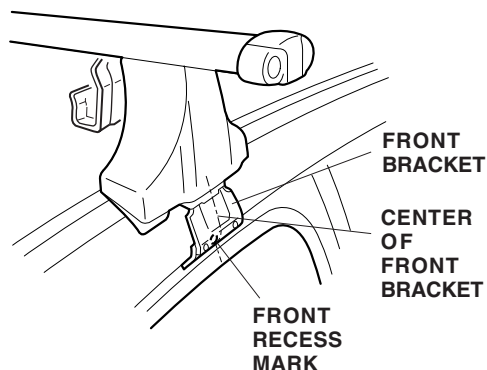
10. Using a tape measure and a felt-tip pen, measure and mark the roof as shown.



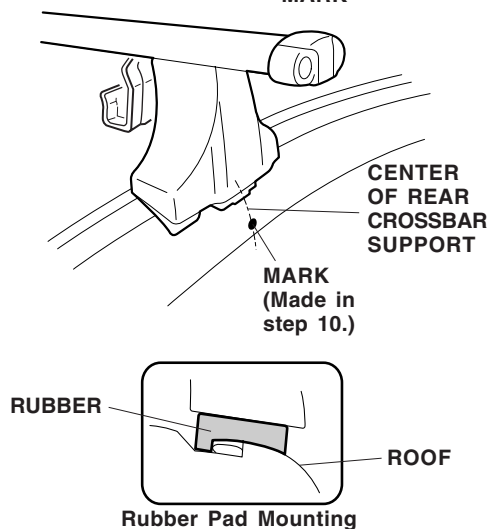
11. Position the front roof crossbar on the roof by aligning the centers of the front crossbar support with the front recesses on the roof edges, as shown.
12. Position the rear roof crossbars on the roof by aligning the center of the rear crossbar support with the marks made in step 10 as shown.

NOTE: The rear roof crossbar will remain loose at this time.

Front:

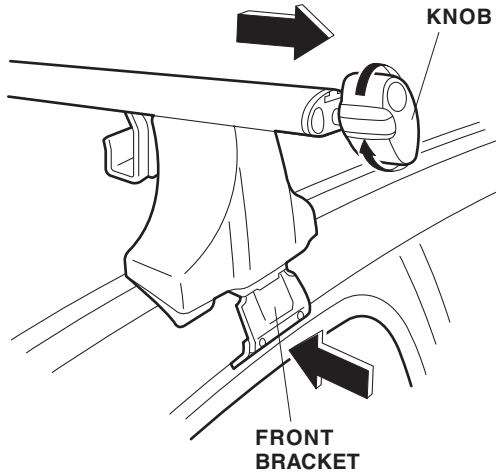


Rear:

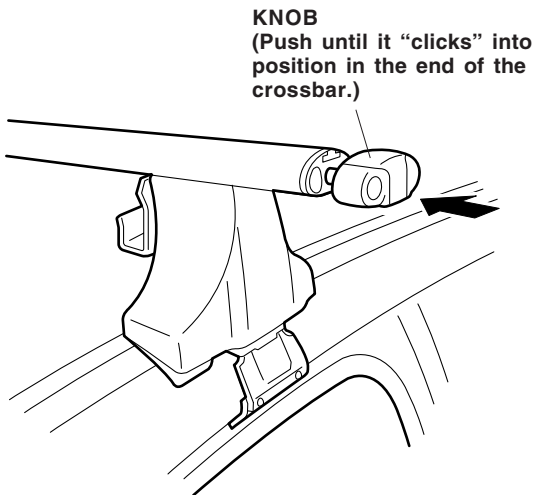


13. Set the rubber pads on the roof as shown

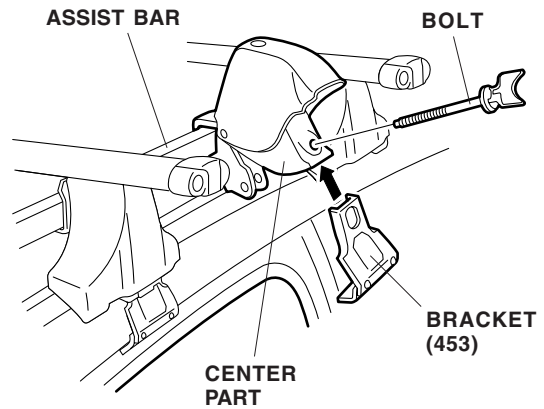
14. While holding the front crossbar support brackets firmly against the roof, turn the right and left knobs clockwise in an alternating pattern in several steps to ensure even pressure. Check that the crossbar supports are placed on the roof properly as you turn the knobs evenly.



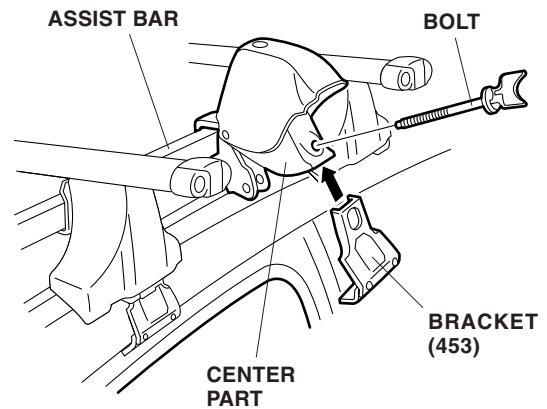
15. Push the knobs on the ends of the front crossbar until they click into position.



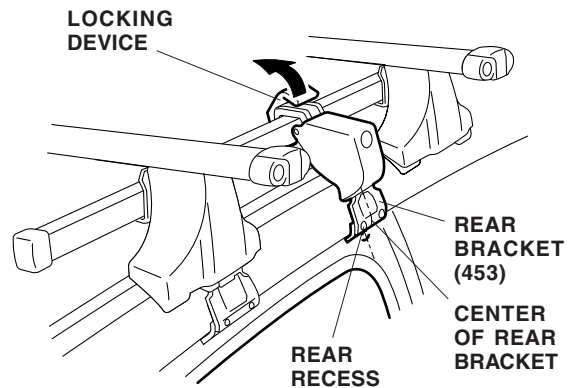
16. Place the assist bars against the hooks you installed in step 4, and center the assist bars between the front and rear crossbars.



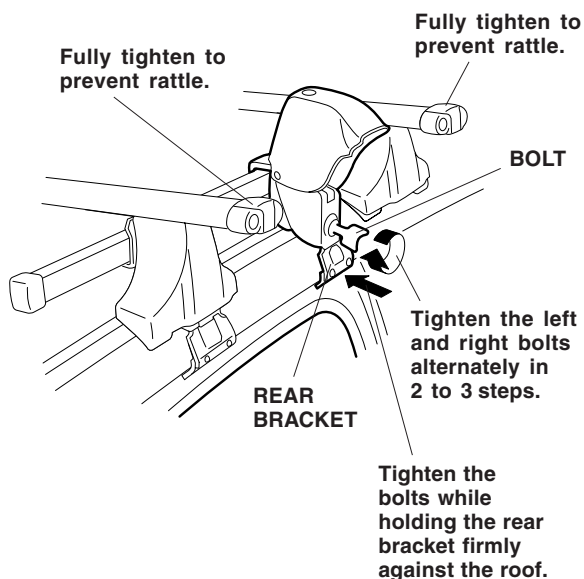
17. Slide the remaining brackets (marked 453) into the center part of the assist bars from the underside and click into position, then loosely install the bolts. Do not tighten the bolts yet.



18. Open the locking devices on the center part of the assist bar. Align the center of each rear bracket (marked 453) with the rear recess of the roof by sliding the locking device. Keep the assist bar centered. Close the locking devices.

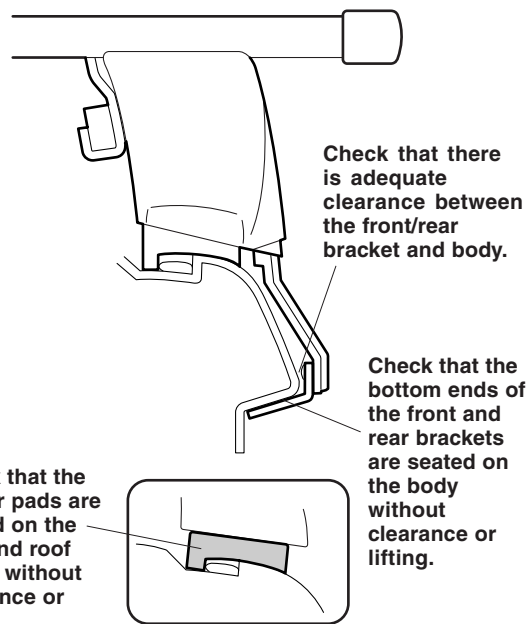


19. While holding the rear brackets firmly against the roof, tighten the left and right bolts alternately in 2 to 3 steps. Failure to observe this precaution may cause the crossbar support to detach from the roof.
20. Tighten the knobs on the ends of the rear crossbar. Tighten the left and right bolts, and front and rear knobs fully to prevent rattles.
21. Push the knobs on the ends of the rear crossbar until they click into position.

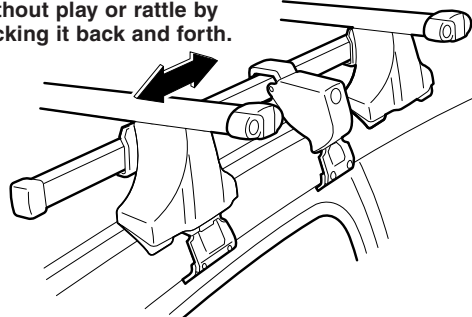


22. Perform the following checks:

- Check that the bottom ends of the front and rear brackets are seated on the body without clearance or lifting.
- Check that there is adequate clearance between the front/rear bracket and body.
- Check that the rubber pads are seated on the roof and roof gutter securely.
- Check that the roof rack is installed on the roof securely without play or rattle by rocking it back and forth.



Check that the roof rack is installed on the roof securely without play or rattle by rocking it back and forth.



23. Using the key, lock the assist bars and the front crossbar.

