



INSTALLATION INSTRUCTIONS

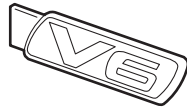
Accessory
GOLD EMBLEM

Application
**2005 ACCORD
4-DOOR**

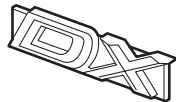
Publications No.
All 27472
Issue Date
AUG 2004

PARTS LIST

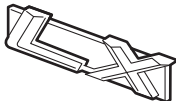
Rear gold "V6" emblem:
P/N 08F20-SDA-100A



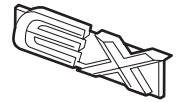
Rear gold "DX" emblem:
P/N 08F20-SDA-100B



Rear gold "LX" emblem:
P/N 08F20-SDA-100C



Rear gold "EX" emblem:
P/N 08F20-SDA-100D



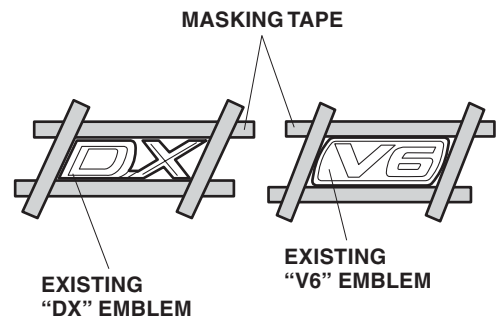
SUPPLIES REQUIRED

Isopropyl alcohol
Shop towel
String
Masking tape

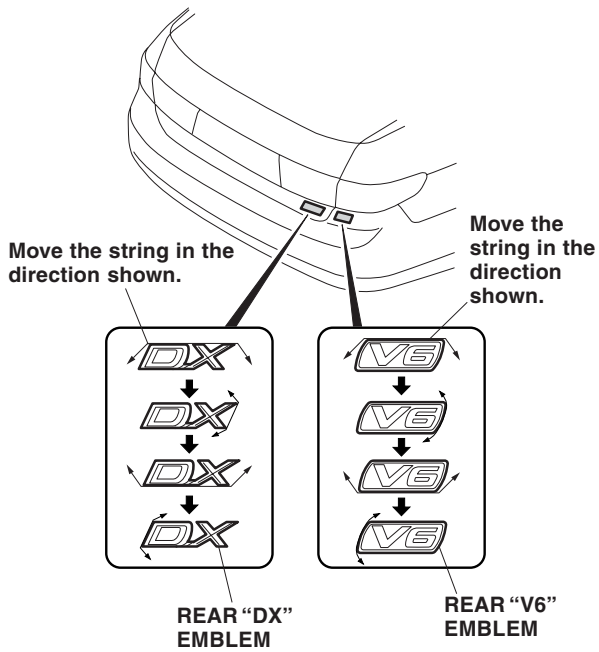
INSTALLATION

NOTE:

- Be careful not to damage the body paint finish when removing and installing the emblems.
 - This emblem kit should be installed only if the ambient air temperature is 60°F (15°C) or above.
 - To allow the adhesive to "cure," do not wash the car for 24 hours.
 - These instructions show the rear gold "DX" emblem being installing; the same procedure applies to installing the rear gold "LX" and "EX" emblems.
1. Mark the locations of the existing "V6" and/or "DX" emblems by applying masking tape along the edges as shown.

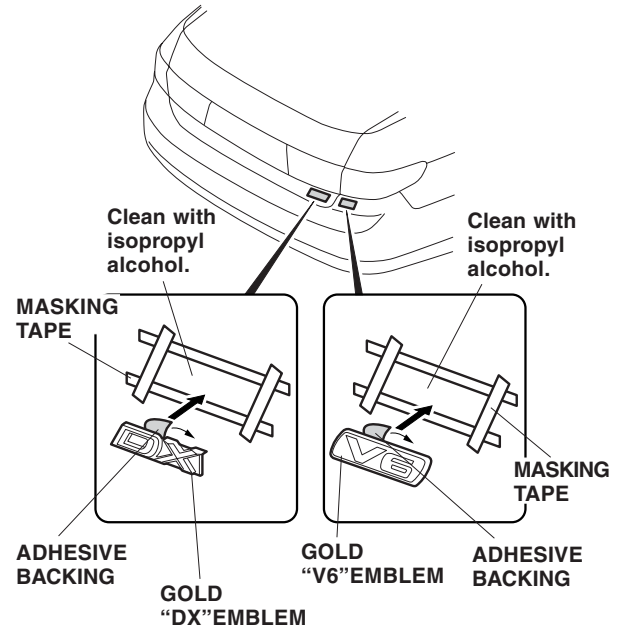


- Slip a length of string under the edge of the existing "DX" or "V6" emblem. Remove the emblems from the body by moving the string back and forth, and working it between the emblems and body.



- Remove the emblems.

- Using isopropyl alcohol on a shop towel, clean the areas where the gold "V6" and/or "DX" emblems will attach.
- Remove the adhesive backing from the "V6" and/or "DX" emblems, and attach them to the body. After attaching, hold the emblems firmly against the body with the palm of your hand for 30 seconds or more.



- Remove the masking tape.