



# INSTALLATION INSTRUCTIONS

Accessory  
**PREMIUM FLOOR MATS WITH SIDE CURTAIN AIRBAG**

Application  
**2005 ACCORD 4-DOOR**

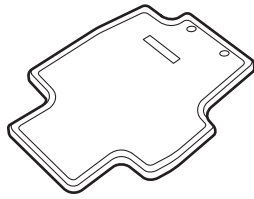
Publications No.  
**All 27469**  
Issue Date  
**AUG 2004**

**Keep this information in the glove box for future reference.**

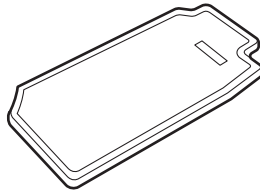
## PARTS LIST

P/N 08P16-SDA-111 (Ivory)  
P/N 08P16-SDA-121 (Gray)  
P/N 08P16-SDA-131 (Graphite Black)

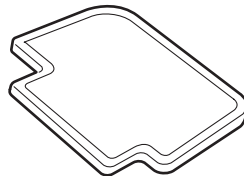
Driver's side floor mat



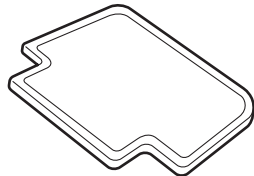
Passenger's side floor mat



Left rear floor mat



Right rear floor mat

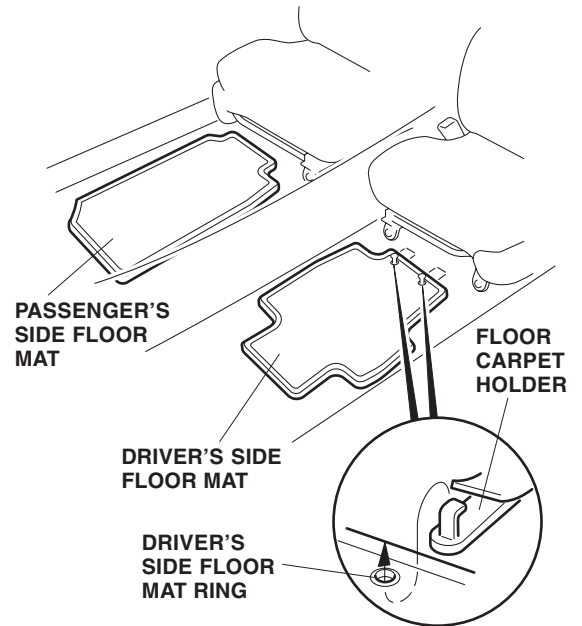


## INSTALLATION

### NOTE:

- Before installing, identify each floor mat.
- Remove the standard floor mats before installing these new floor mats.
- The floor mat holders are required for the driver's side of the car; the anchor prevents the driver's side floor mat from sliding forward and interfering with the pedals.

1. Install the driver's side floor mat by placing the rings in the floor mat around two holders on the floor carpet.



2. Install the passenger's side floor mat on the floor carpet.
3. Install the rear floor mats on the floor carpet. Place the ring on the right rear floor mat around the anchor under the passenger's seat front.

