



INSTALLATION INSTRUCTIONS

Accessory

REAR SPEAKERS (DX)
P/N 08A54-SDA-100

Application

2005 ACCORD
4-DOOR

Publications No.

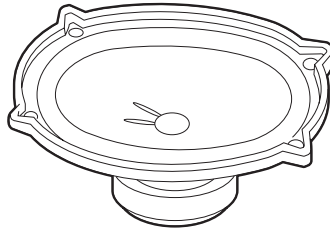
All 27479

Issue Date

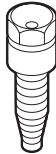
AUG 2004

PARTS LIST

2 Speakers



8 Bolts, 5 x 16 mm



TOOLS AND SUPPLIES REQUIRED

Flat-tip screwdriver

Ratchet

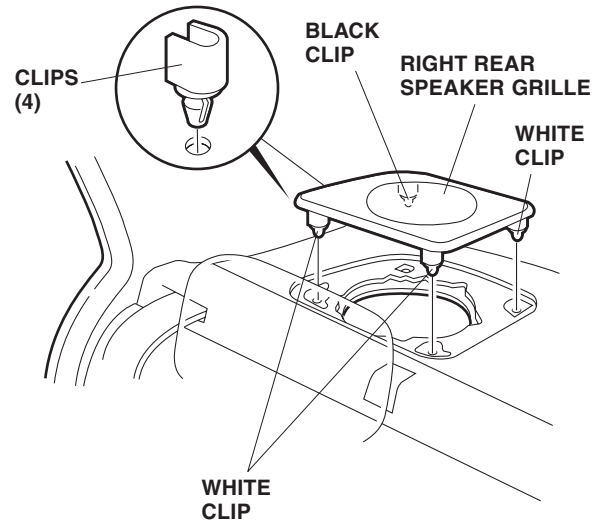
5 mm Socket

Shop towel

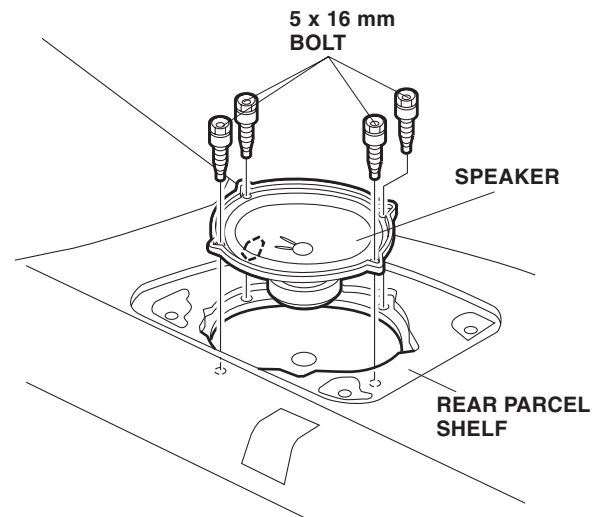
INSTALLATION

Customer Information: The information in this installation instruction is intended for use only by skilled technicians who have the proper tools, equipment, and training to correctly and safely add equipment to your vehicle. "These procedures should not be attempted by "do-it-yourselfers."

1. Pry up on the four clips and remove the right rear speaker grille. Do not break the clips when you remove the right rear speaker grille.

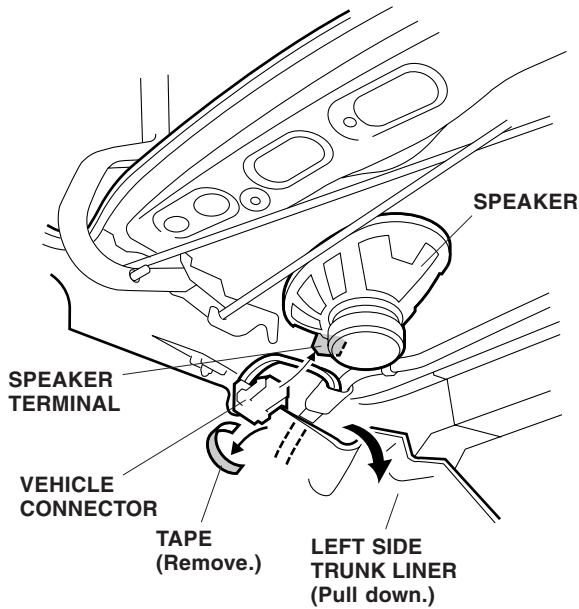


2. Position the speaker on the rear parcel shelf with the terminals facing the outside and install the four 5 x 16 mm bolts.

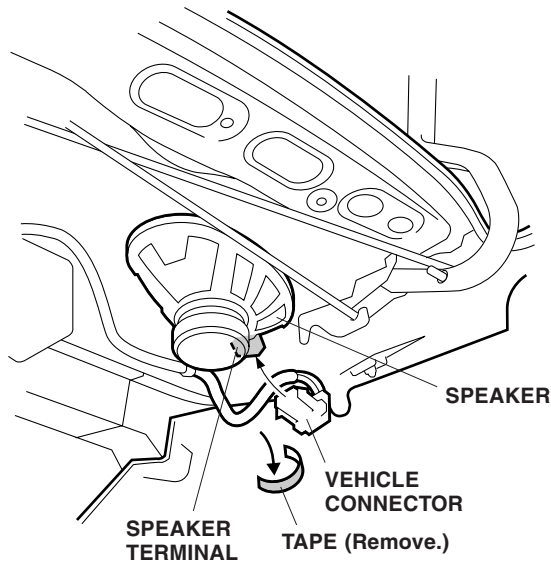


3. Repeat steps 1 and 2 to install the left speaker.

4. Open the trunk lid, and pull down the left side trunk liner as shown.



5. Inside the trunk, locate the vehicle connector taped to the vehicle harness and remove the tape to free the connector. Connect the connector you just freed to the speaker terminal.
6. Inside the trunk, locate the vehicle connector taped to the vehicle harness (on the right corner) and remove the tape to free the connector. Connect the connector you just freed to the speaker terminal.



7. Check that all wire harnesses are routed properly and all connectors are plugged in.
8. Reinstall all removed parts.