

**INSTALLATION
INSTRUCTIONS**

Accessory

**GOLD EMBLEM
P/N 08F20-SDR-100**

Application

**2005 ACCORD
HYBRID**

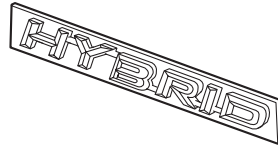
Publications No.

All 27723

Issue Date

NOV 2004**PARTS LIST**

Gold "HYBRID" emblem

**TOOLS AND SUPPLIES REQUIRED**

Isopropyl alcohol

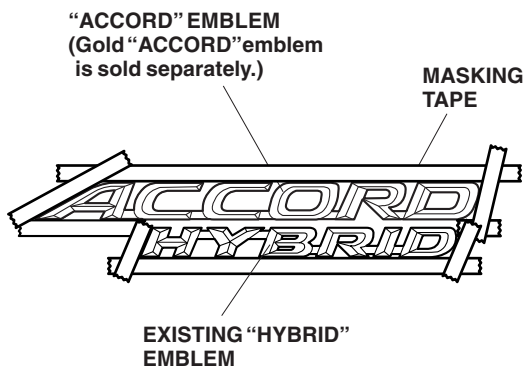
Shop towel

String

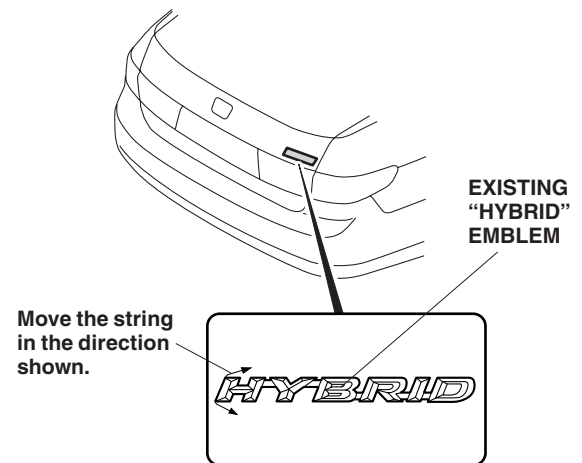
Masking tape

INSTALLATION**NOTE:**

- Be careful not to damage the body paint finish when removing and installing the emblem.
 - This emblem kit should be installed only if the ambient air temperature is 60°F (15°C) or above.
 - To allow the adhesive to "cure," do not wash the car for 24 hours.
1. Mark the location of the existing emblem by applying masking tape along the edges as shown.



2. Remove the "HYBRID" emblem from the body by moving the string back and forth, and working it between the emblem and body.



3. Remove the emblem.
4. Using isopropyl alcohol on a shop towel, clean the area where the gold "HYBRID" emblem will attach.
5. Remove the adhesive backing from the "HYBRID" emblem, and attach it to the body. After attaching, hold the emblem firmly against the body with the palm of your hand for 30 seconds.
6. Remove the masking tape.

