



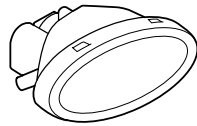
# INSTALLATION INSTRUCTIONS

Accessory	Application	Publications No.
FOG LIGHT P/N 08V31-SDN-101	2007 ACCORD 2-DOOR	All 32632
		Issue Date JULY 2006

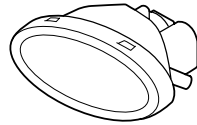
**NOTE:** Fog lights can be installed in a vehicle equipped with a factory outside temperature gauge; fog lights cannot be installed on a vehicle equipped with an accessory outside temperature gauge.

## PARTS LIST

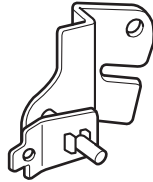
Right fog light



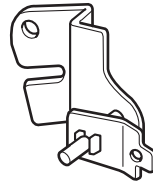
Left fog light



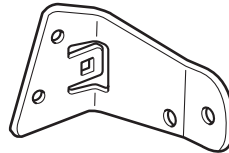
Right bracket A



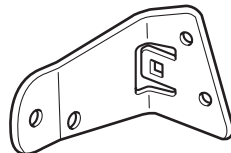
Left bracket A



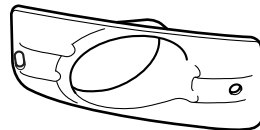
Right bracket B



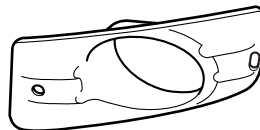
Left bracket B



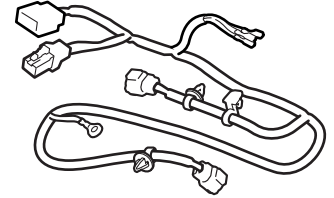
Right fog light trim



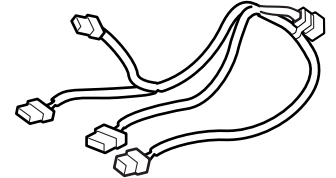
Left fog light trim



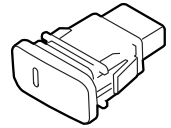
Fog light harness



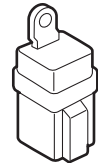
Switch harness



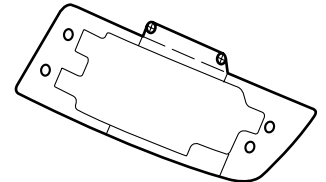
Switch



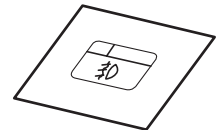
Relay



Template



Fuse label



2 Grommet screws



4 Step-screws



Flange nut, 6 mm



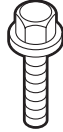
10 Self-Tapping screws, 5 x 16 mm



Washer, 6 mm



2 Washer-bolts, 6 x 16 mm



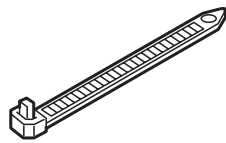
Bolt, 6 x 16 mm



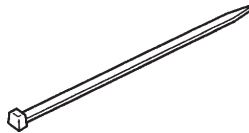
2 Washer-screws, 4 x 8 mm



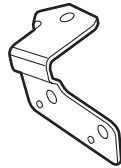
26 Wire ties



Short wire tie



Relay bracket



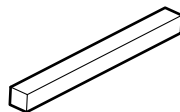
4 Spring nuts



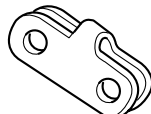
Fuse (20A)



Cushion



2 Plate nuts



## TOOLS AND SUPPLIES REQUIRED

#2 Phillips screwdriver

Small flat-tip screwdriver

8 mm and 10 mm Combination wrench

10 mm Socket

Ratchet

File

Diagonal cutters

Masking tape

Utility knife

Felt-tip pen

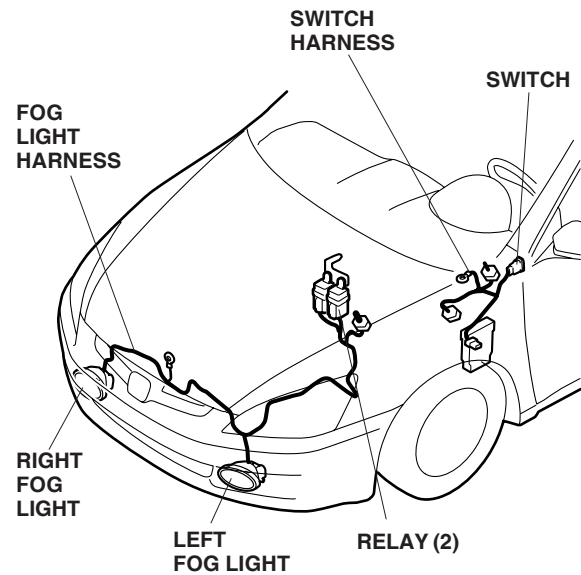
Center punch

Drill

3 mm and 7 mm Drill bit

Eye protection (face shield, safety goggle, etc)

### *Illustration of the Fog Lights Installed on the Vehicle*



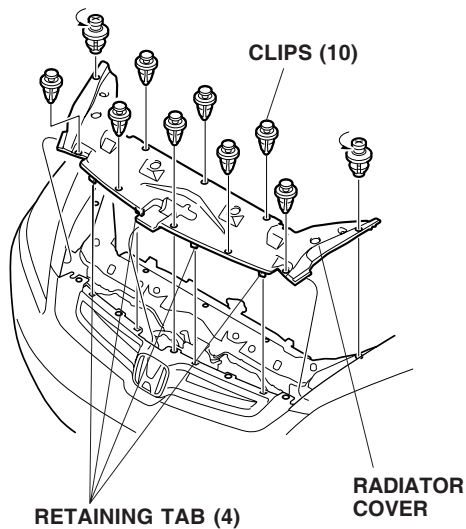
## INSTALLATION

**Customer Information:** The information in this installation instruction is intended for use only by skilled technicians who have the proper tools, equipment, and training to correctly and safely add equipment to your vehicle. These procedures should not be attempted by “do-it-yourselfers.”

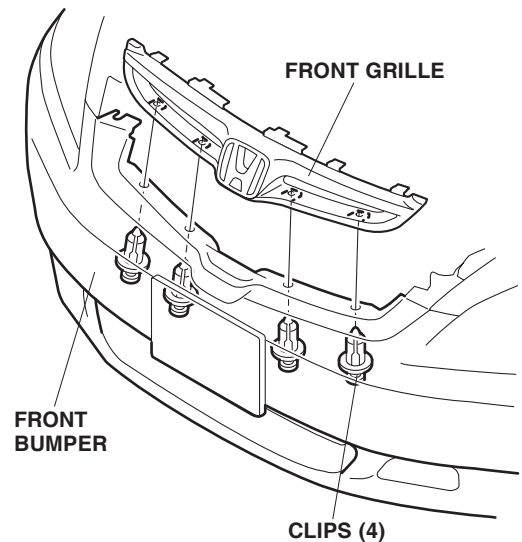
1. Make sure you have the anti-theft code for the radio, then write down the frequencies for the preset buttons.
2. Disconnect the negative cable from the battery.

### Routing the Fog Light Harness

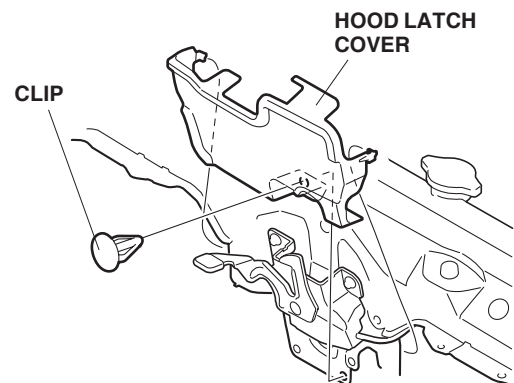
3. Open the hood. Remove the radiator cover (ten clips and four retaining tabs).



4. Remove the four clips that fasten the front grille to the front bumper, and remove the front grille. Do not drop the clips.

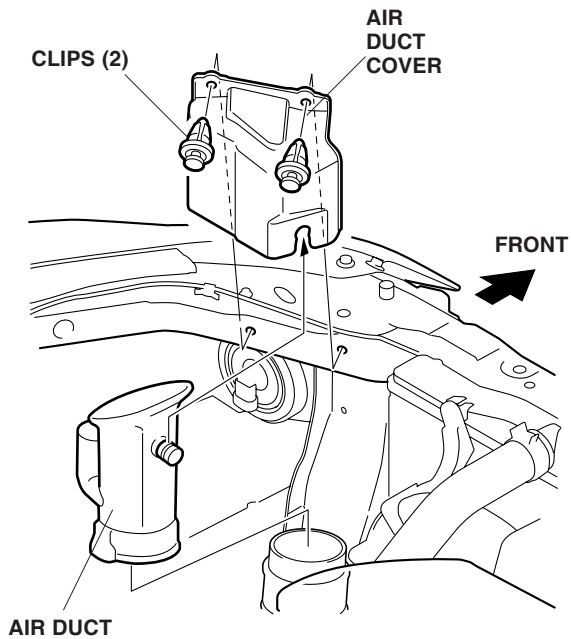


5. Remove the hood latch cover (one clip).

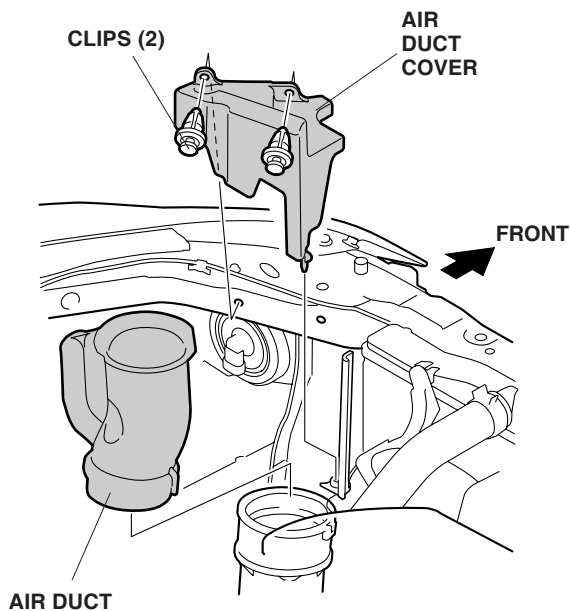


- Remove the air duct cover (two clips), and pull it out toward you. Remove the air duct by pulling it out toward you.

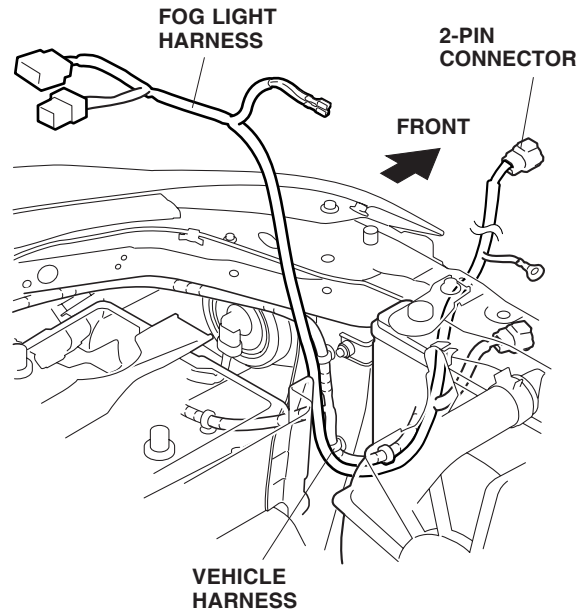
**L4 Model:**



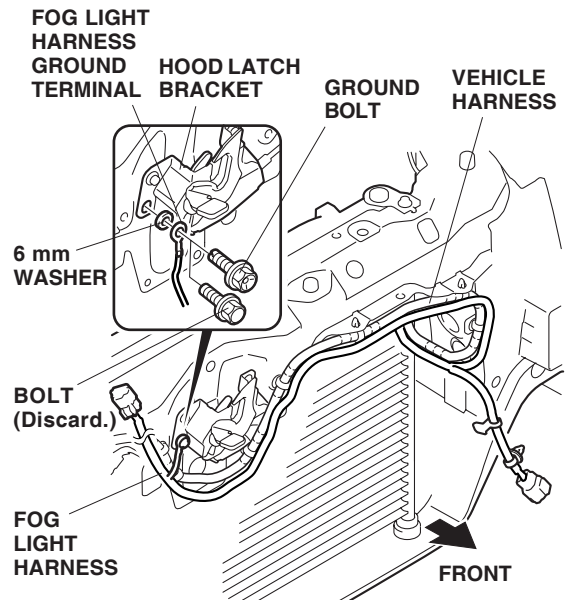
**V6 Model:**



- Route the fog light harness 2-pin connector through the front bulkhead and along the vehicle harness.

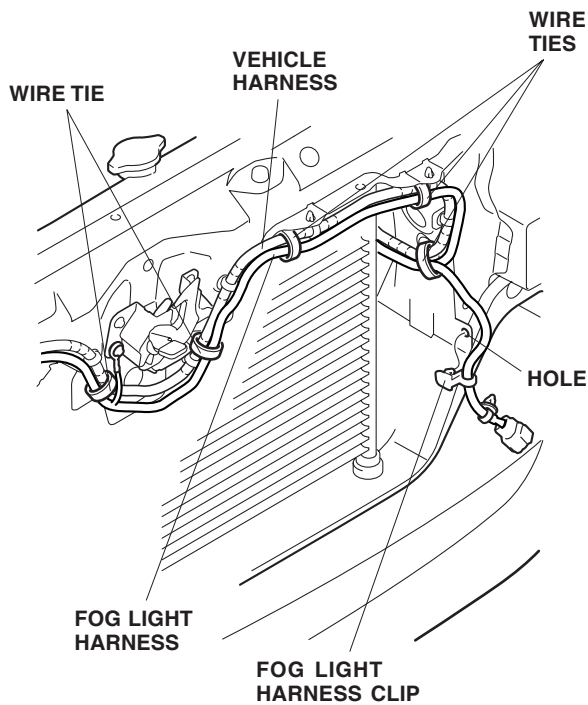


- Route the 2-pin connector end of the fog light harness through the front bulkhead along the vehicle harness.

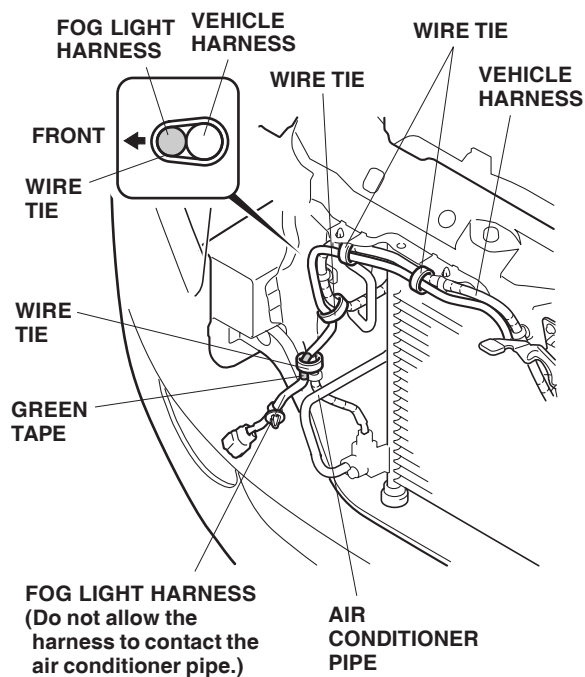


- Remove and discard the lower bolt that secures the hood latch bracket. Using one ground bolt and the 6 mm washer supplied, attach the fog light harness ground terminal to the hood latch bracket.

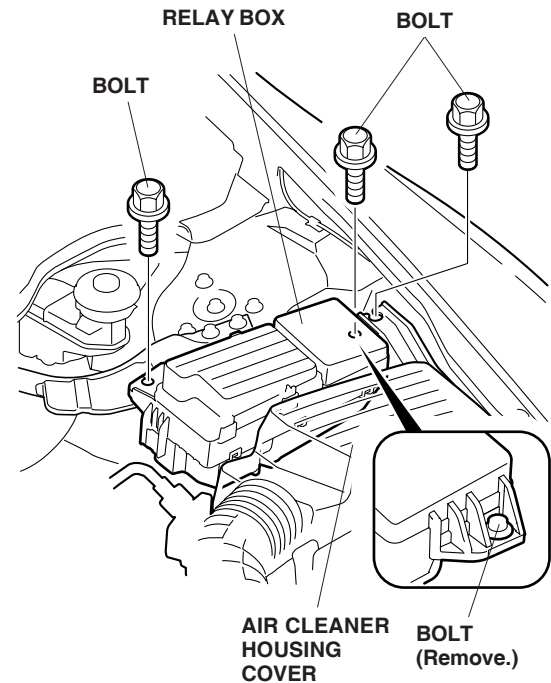
10. On the left side of the vehicle, secure the fog light harness to the vehicle harness with the five wire ties in the areas shown. Push the fog light harness clip into the hole in the body panel.



11. On the right side of the vehicle, secure the fog light harness to the vehicle harness with four wire ties, one at the green tape.

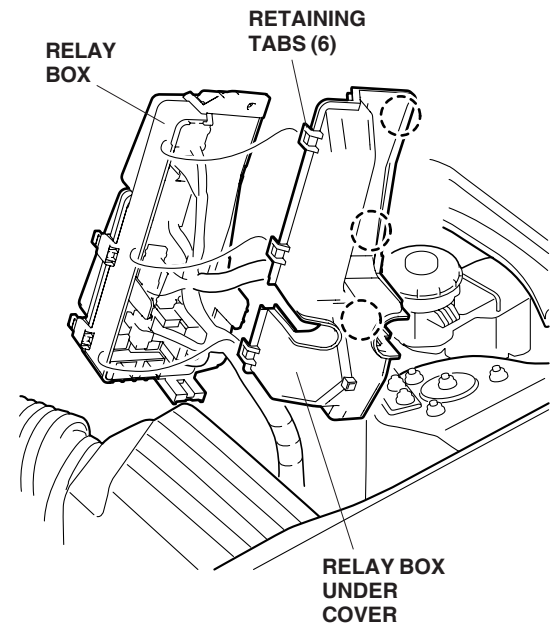


12. Remove the two bolts that fasten the relay box.

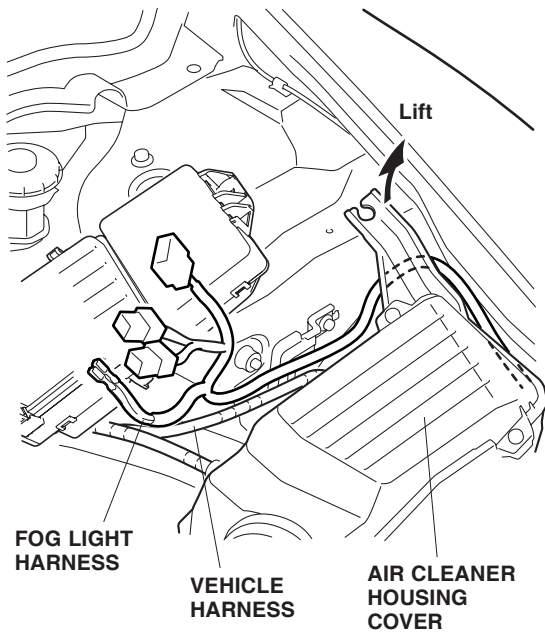


13. Remove the one bolt that fastens the air cleaner housing cover.

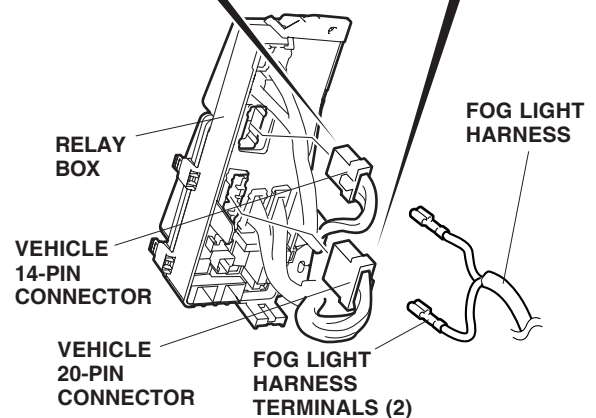
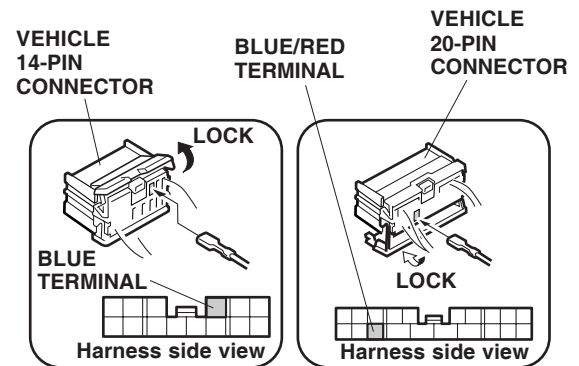
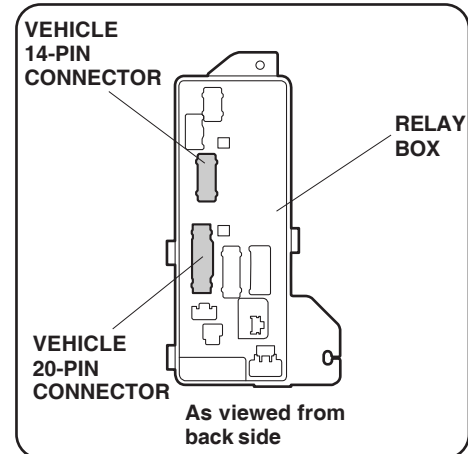
14. Release the six retaining tabs, and remove the relay box under cover.



- Lift the air cleaner housing cover up, and route the other end of the fog light harness toward the engine along the vehicle harness.

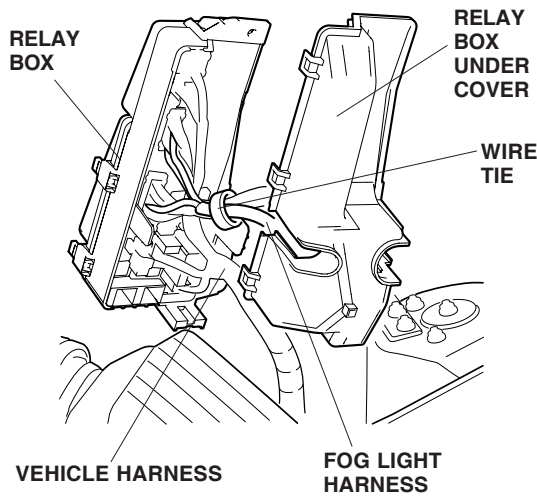


- Unplug the vehicle 14-pin and 20-pin connectors from the relay box. Release the lock on the vehicle 14-pin connector, and push the fog light harness blue wire terminals into the vehicle 14-pin connector. Reattach the lock on the 14-pin connector.



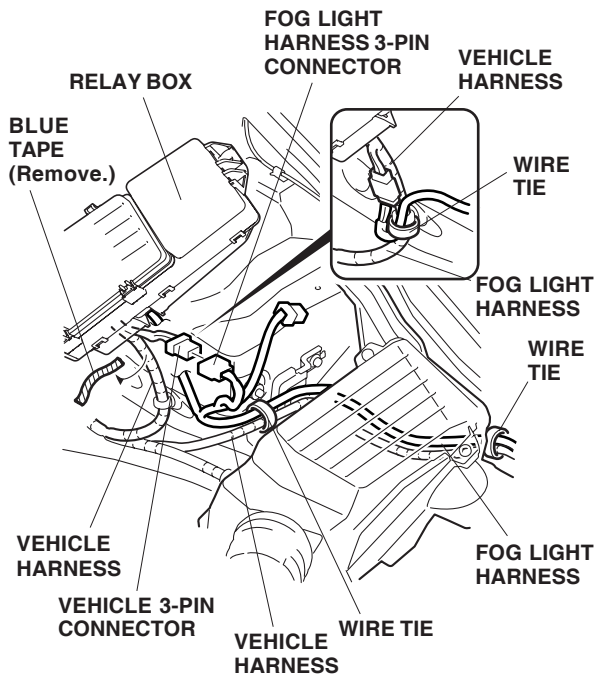
- Release the lock on the vehicle 20-pin connector, and push the fog light harness blue/red wire terminal into the vehicle 20-pin connector. Reattach the lock on the 20-pin connector.
- Plug the vehicle 14-pin and 20-pin connectors back into the relay box.

19. Secure the fog light harness to the vehicle harness with one wire tie in the area shown.

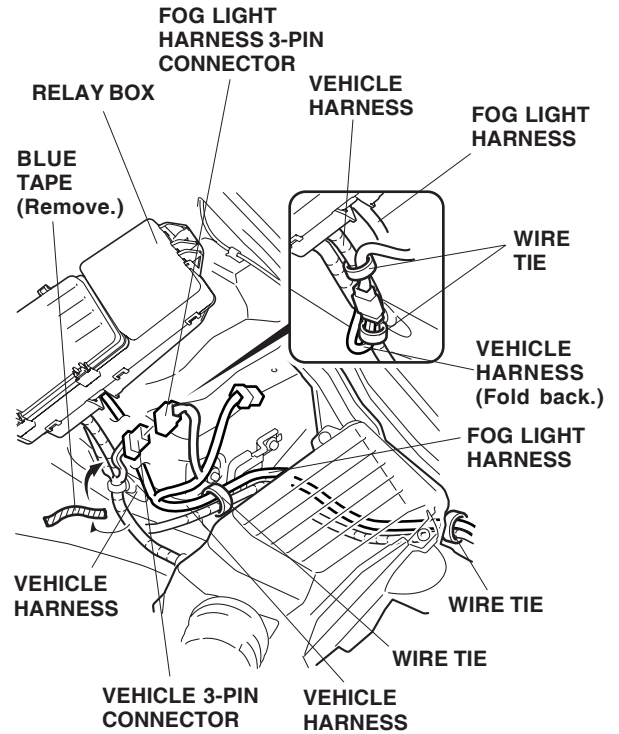


20. Reinstall the relay box under cover. Be careful not to pinch the wires.
21. Under the relay box, locate the vehicle 3-pin; connector blue-taped to the vehicle harness. Remove the blue tape to free the connector. Connect the fog light harness 3-pin connector into the 3-pin connector. Secure the fog light harness to the vehicle harness with one wire tie in the area shown.

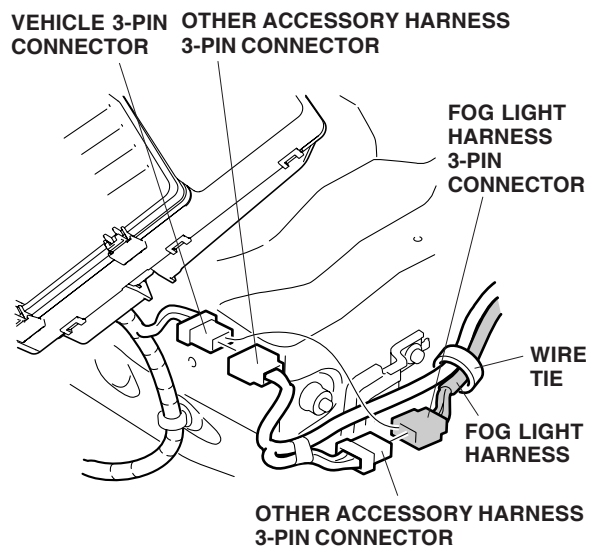
**A/T Model:**



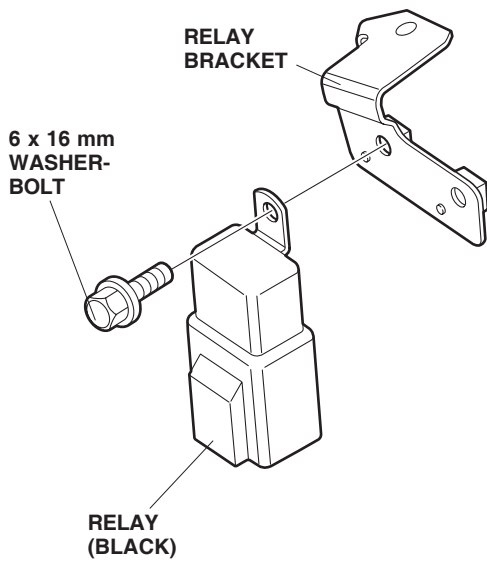
**M/T Model:**



NOTE: If the 3-pin connector is already being used by another accessory, locate the 3-pin connector taped to that other accessory's harness. Remove the tape and dummy connector from that other accessory's harness. Plug the fog light harness 3-pin connector into that other accessory's harness.

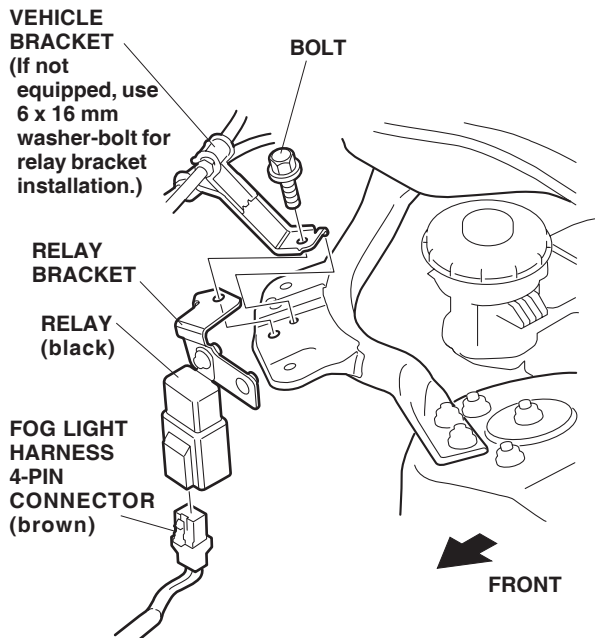


22. Install the relay to the relay bracket with the two 6 x 16 mm washer-bolts.



23. Plug the fog light harness two 4-pin connector into the relay.

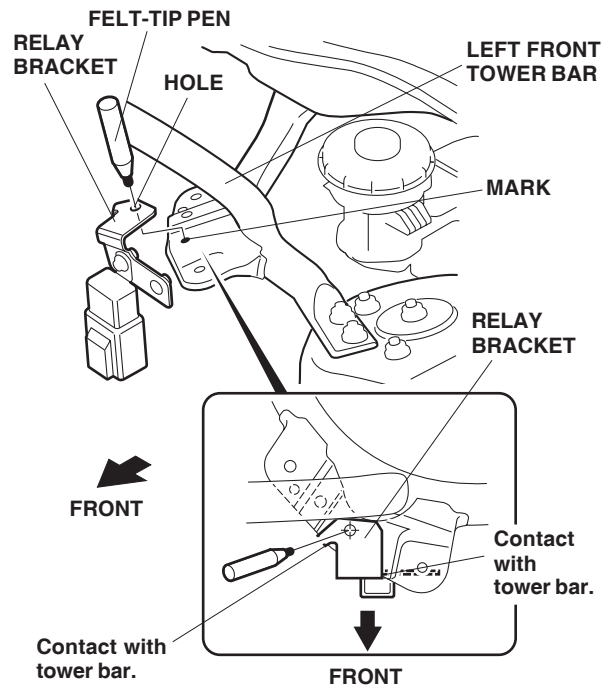
**V6 Model With A/T:** Attach the relay bracket to the vehicle frame with the 6 x 12 mm washer-bolt supplied.



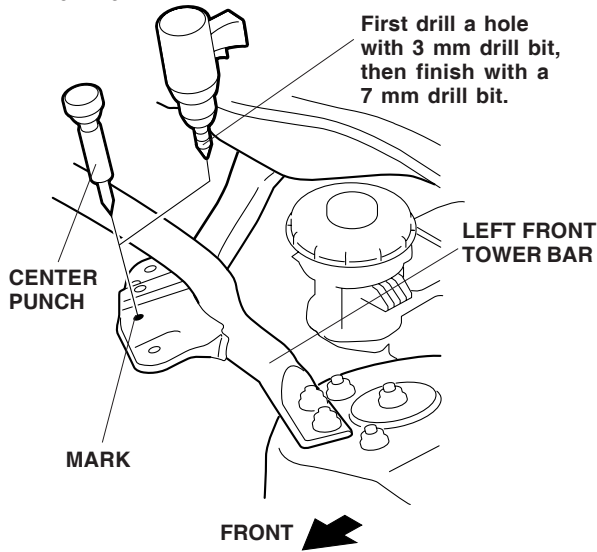
24. If equipped with a vehicle bracket, remove the mounting bolt that secures the vehicle bracket, and attach the relay bracket with this bolt.

- Position the relay bracket assembly on the vehicle frame in the area shown. With the bracket touching the vehicle frame. Mark the vehicle frame through the relay bracket hole using a felt-tip pen.
- Remove the relay bracket and center-punch the mark you made.

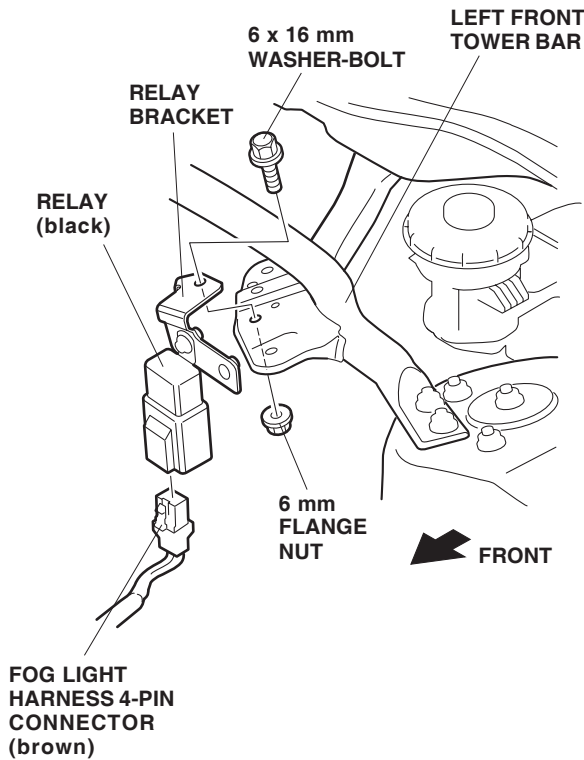
**V6 Model With M/T:** You may need to drill a hole through the vehicle frame to install the relay bracket.



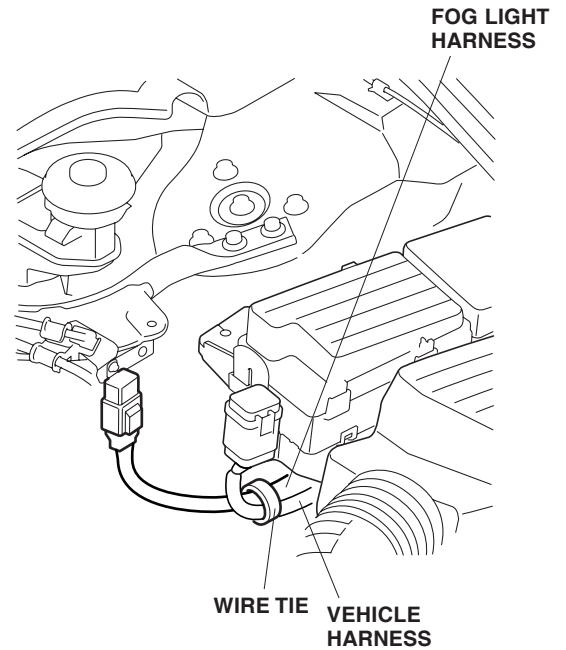
- While wearing eye protection, drill a 7 mm hole through the center punched mark. First drill with a 3 mm drill bit, and finish with a 7 mm drill bit.



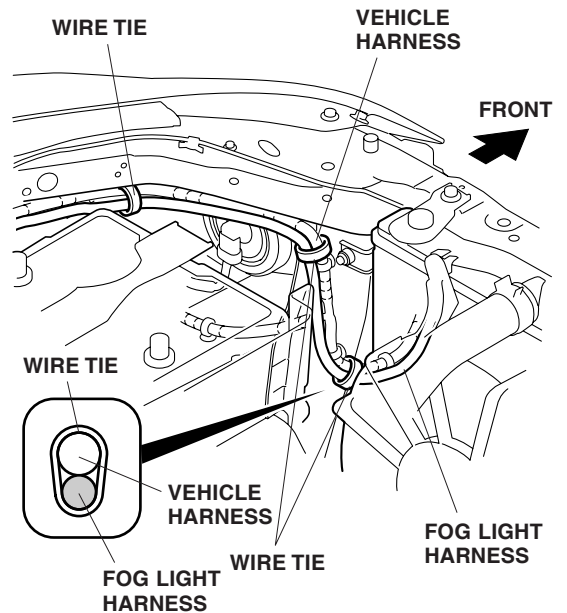
- Install the relay bracket assembly to the hole in the vehicle frame with the 6 x 16 mm washer-bolt and 6 mm flange nut.



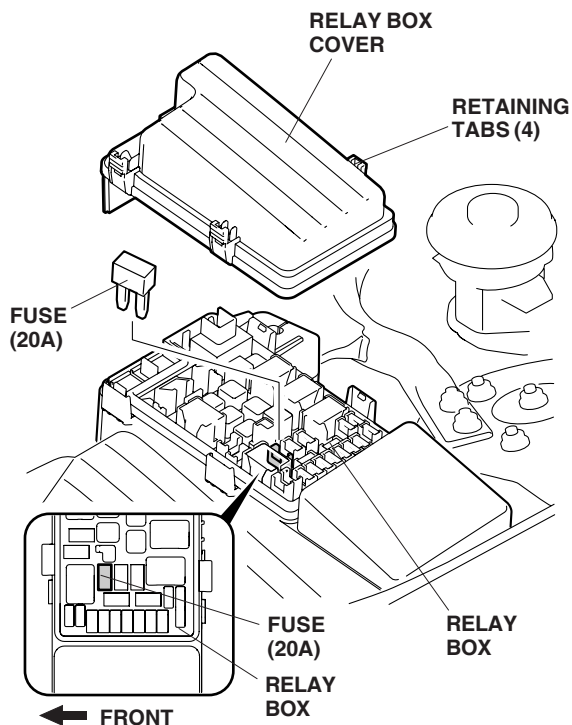
25. If the fog right harness is routed near a vehicle 4-pin harness connector, secure the fog light harness to the vehicle harness with one wire tie.



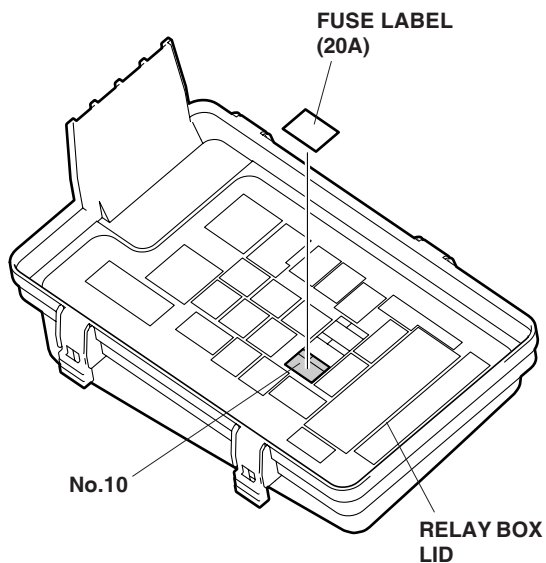
26. Secure the fog light harness to the vehicle harness with three wire ties in the areas shown.



27. Remove the relay box cover (four retaining tabs), and install the 20A fuse (provided) into the No.10 slot of the relay box.

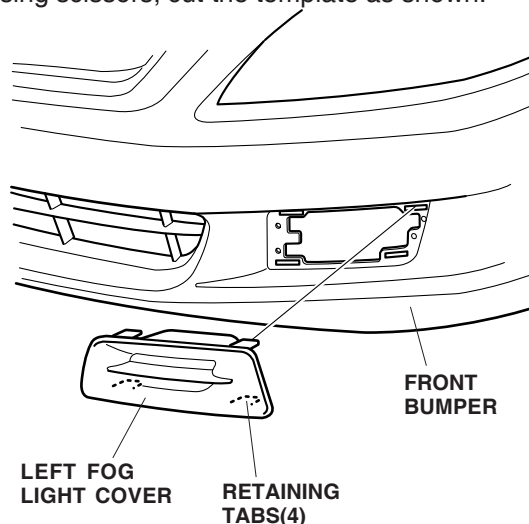


28. Attach the 20A fuse label over the No.10 spot of the relay box cover. Reinstall the relay box cover.

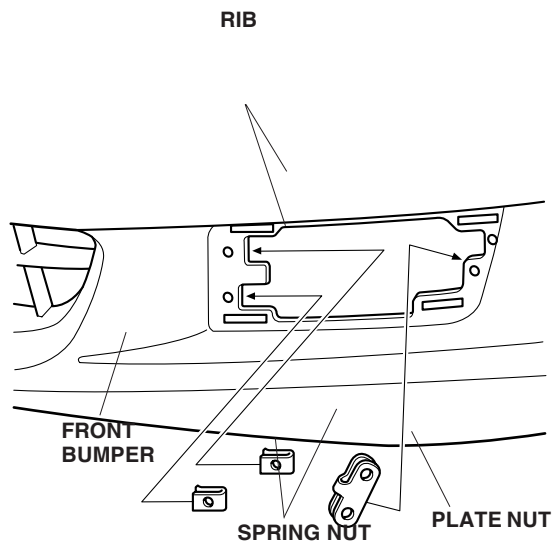


## Installing the Fog Lights

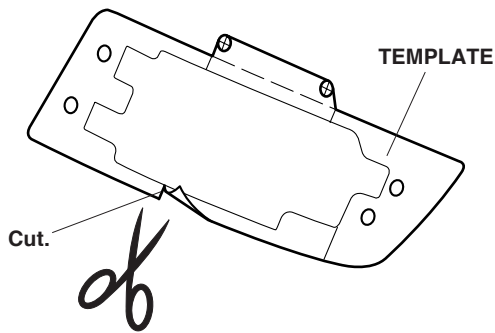
29. Remove the left fog light cover lid (four retaining tabs).  
 30. Attach two spring nuts and one plate nut onto the ribs of the front bumper.  
 31. Using scissors, cut the template as shown.



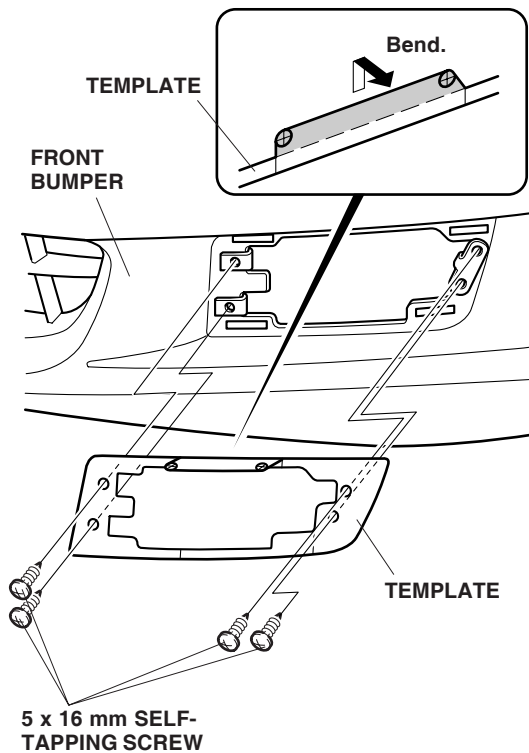
30. Attach two spring nuts and one plate nut onto the ribs of the front bumper.



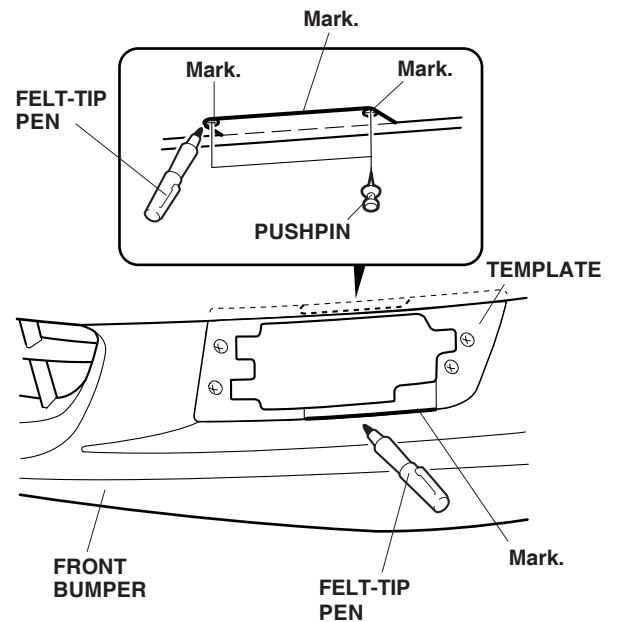
31. Using scissors, cut the template as shown.



32. Fold the template as shown, and position the template on the front bumper to hold the template in place. Install four 5 x 16 mm self-tapping screws.

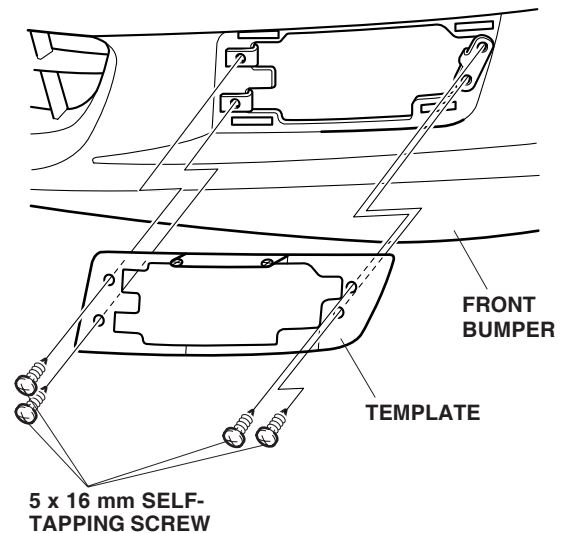


33. Using a felt-tip pen, mark the front bumper as shown.

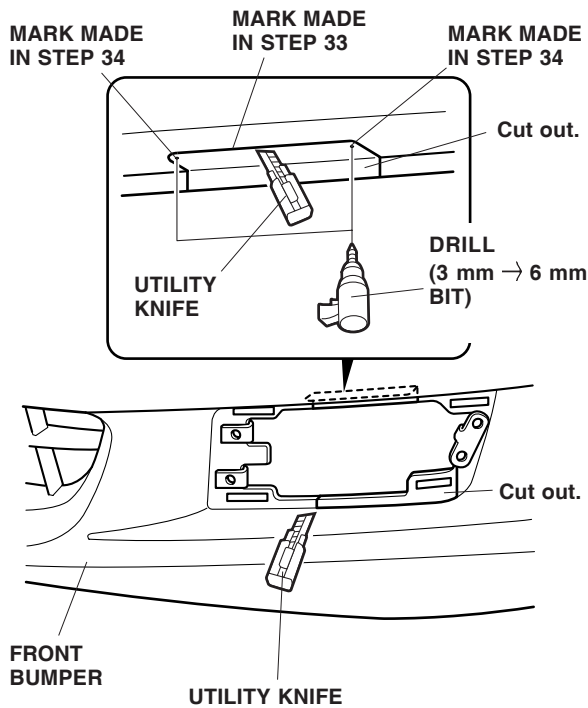


34. Using a pushpin, pierce the front bumper at each marked location.

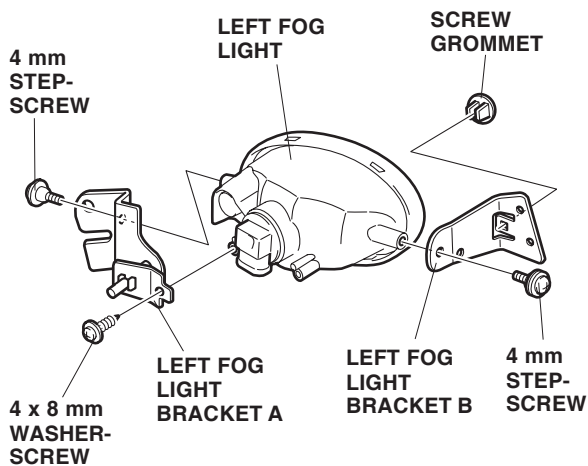
35. Remove the four self-tapping screws and remove the template from the front bumper.



36. While wearing eye protection, drill through the two marks you made in the bumper. First drill with a 3 mm drill bit first, and finish with a 6 mm drill bit.

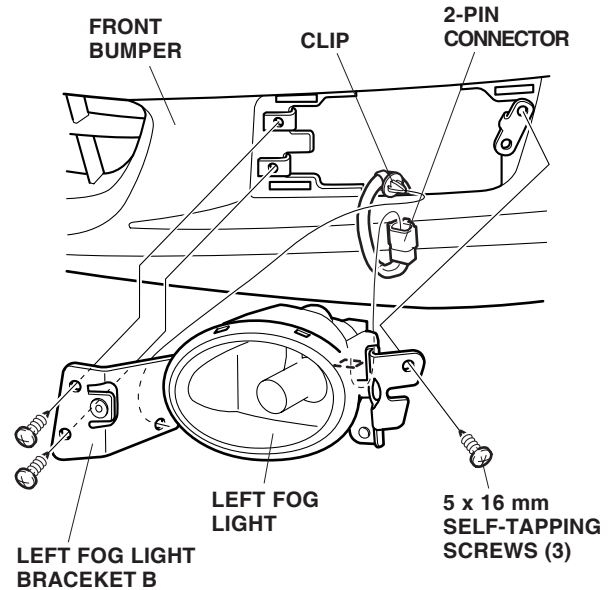


37. Using a utility knife, cut out the front bumper along the mark you made in step 33.
38. Install one screw grommet to the left fog light bracket B.

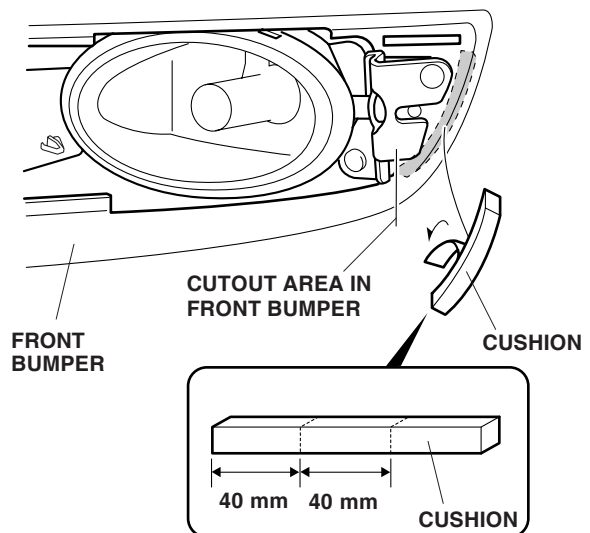


39. Install the left fog light bracket B onto the left fog light using the 4 mm step-screw.
40. Install the left fog light bracket A onto the left fog light using the 4 x 8 mm washer-screw and 4 mm step-screw.

41. Connect the fog light harness 2-pin connector to the left fog light.



42. Install the fog light harness clip onto the left fog light bracket B.
43. Install the left fog light onto the front bumper using three 5 x 16 mm self-tapping screws.



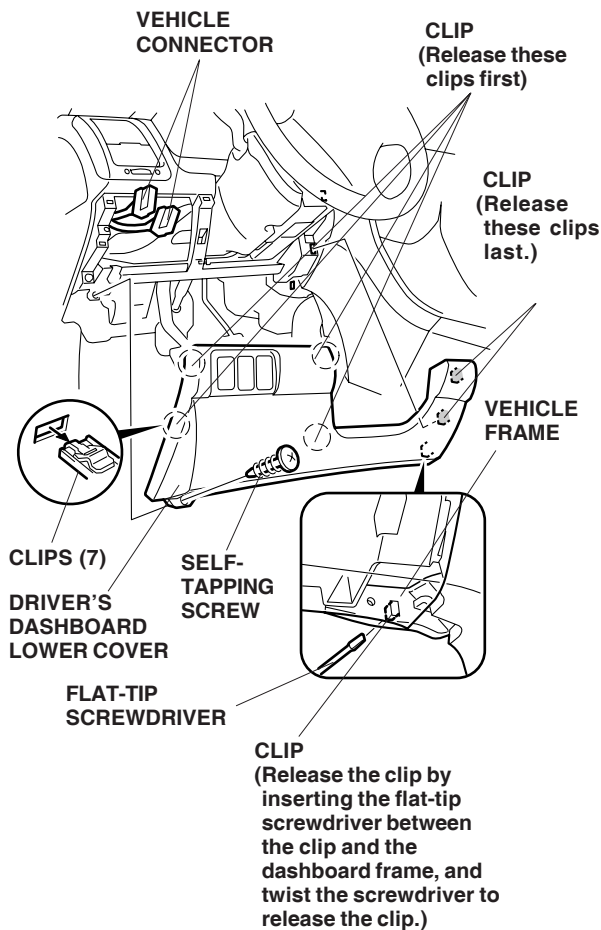
44. Using scissors, cut the cushion to the dimensions shown.
45. Remove the adhesive backing from the 40 mm cut piece of cushion, and attach it to the front bumper aligning the cushion with the cutout area in the front bumper.

46. Repeat the step 29 through 45 to install the right fog light.

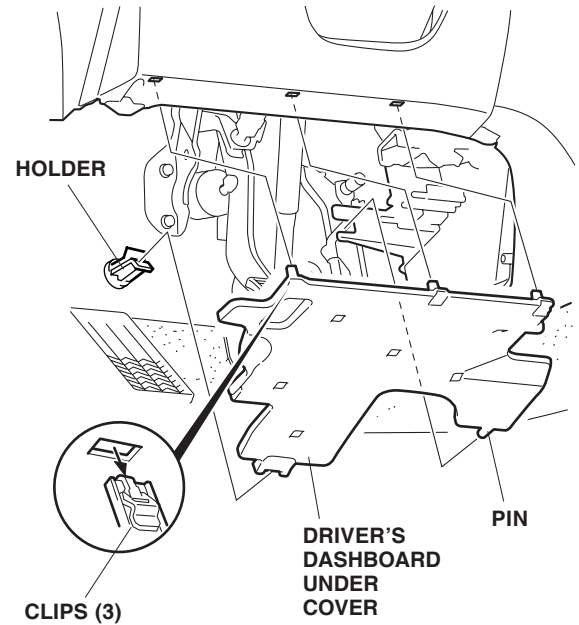
### Routing the Switch Harness

47. Remove the driver's dashboard lower cover:

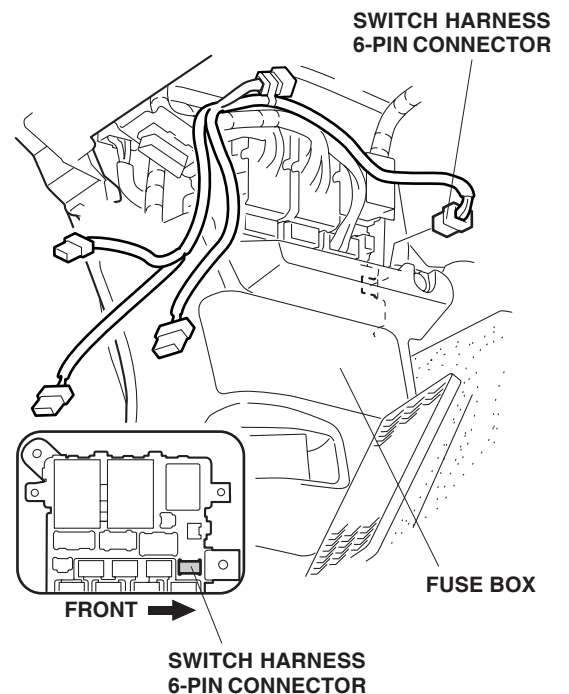
- Remove the one self-tapping screw.
- Release the four clips on the left side first by pulling out on the driver's dashboard lower cover.
- After releasing the four left clips, insert the flat-tip screwdriver between the clip and the dashboard frame. Gently twist the screwdriver to release the lower right clip.
- Release the two remaining clips on the right side, unplug the vehicle connector, and remove the lower cover.



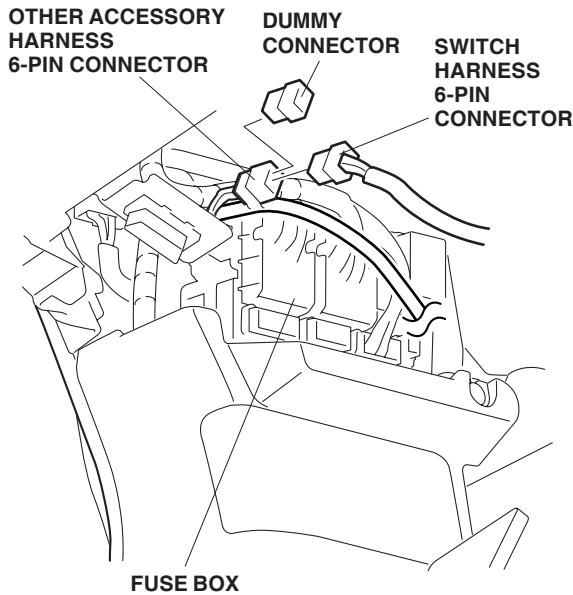
48. If equipped, remove the driver's dashboard under cover (three clips, one pin, and one holder).



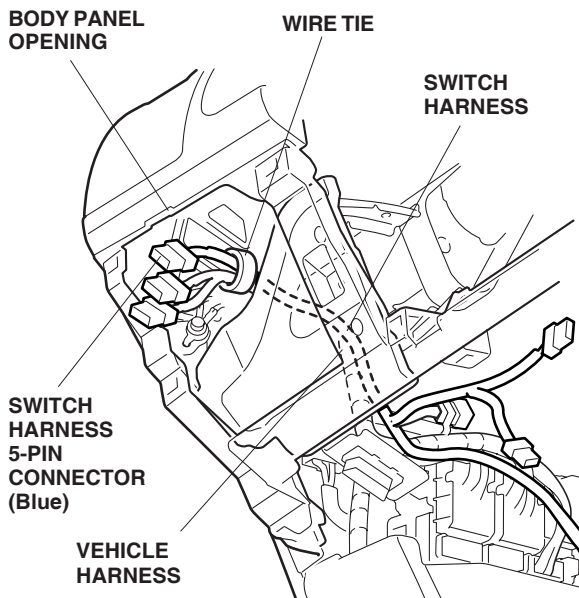
49. Plug the switch harness 6-pin connector into the 6-pin connector of the fuse box.



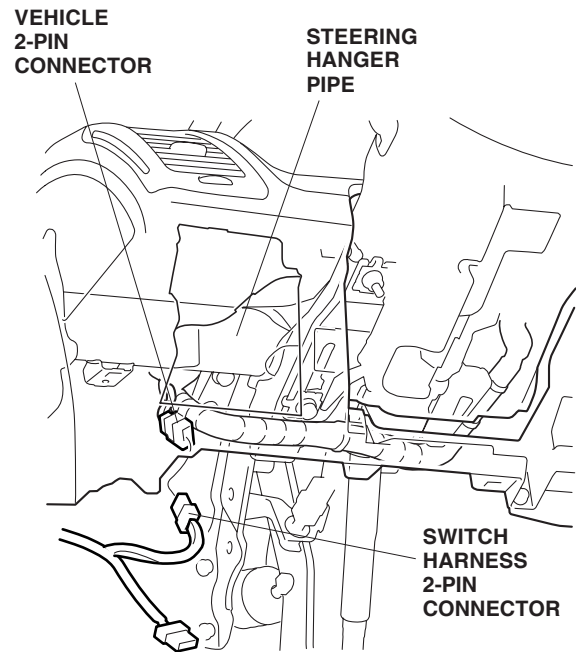
NOTE: If the fuse box 6-pin connector is already being used by another accessory, unplug that accessory's 6-pin connector from the fuse box. Locate the 6-pin connector taped to the switch harness. Remove the dummy connector from the switch harness. Plug the other accessory's harness 6-pin connector into the switch harness, and plug the switch harness 6-pin connector into the fuse box.



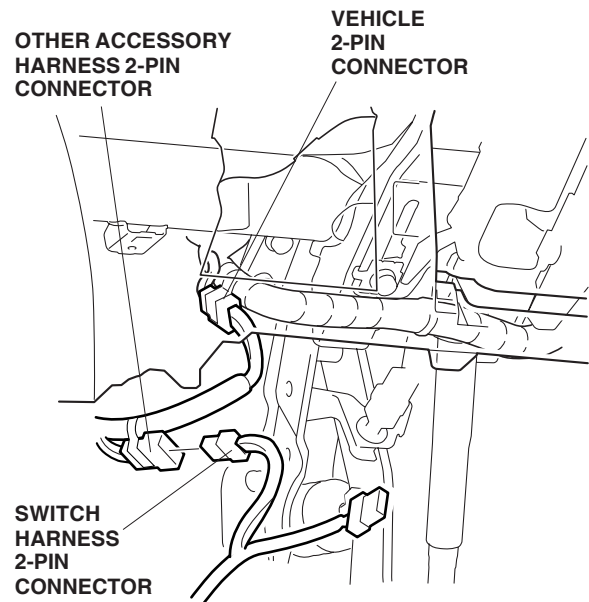
50. Route the switch harness 5-pin connector (blue) along the vehicle harness and through the body panel opening. Secure the switch harness to the vehicle harness with one wire tie in the area shown.



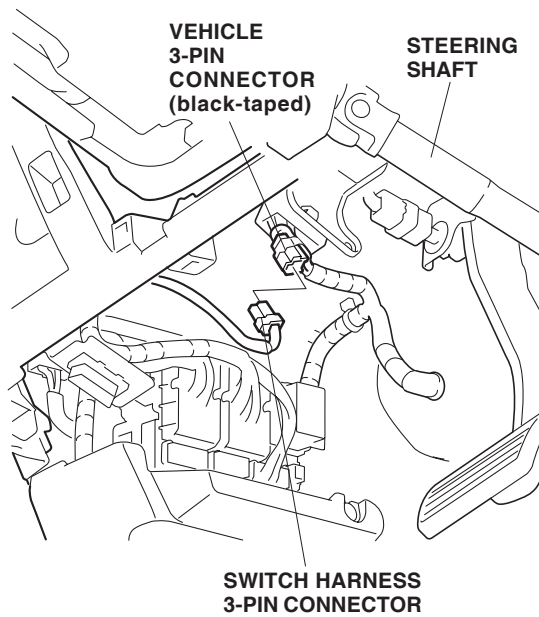
51. Behind the steering hanger pipe, locate the 2-pin connector blue-taped to the vehicle harness. Connect the switch harness 2-pin connector to the vehicle 2-pin connector.



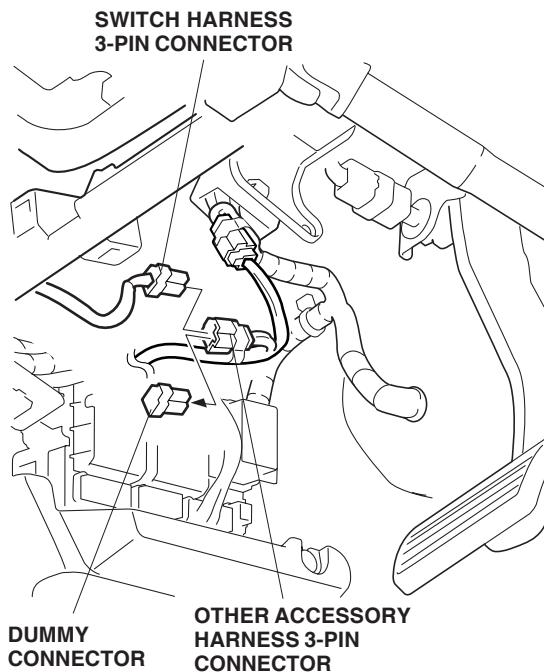
NOTE: If the 2-pin connector is already being used by another accessory, locate the 2-pin connector taped to that other accessory's harness. Plug the switch harness 2-pin connector into the other accessory harness.



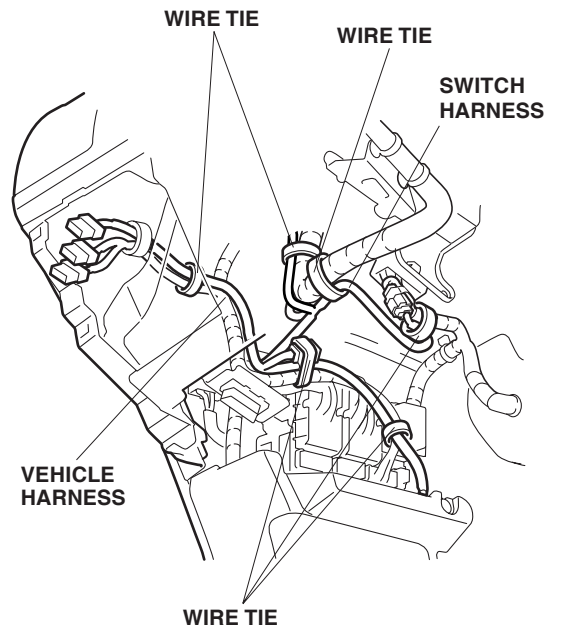
52. On the left of the steering shaft, locate the 3-pin connector that is black-taped to the vehicle harness, and plug the switch harness 3-pin connector into the vehicle 3-pin connector.



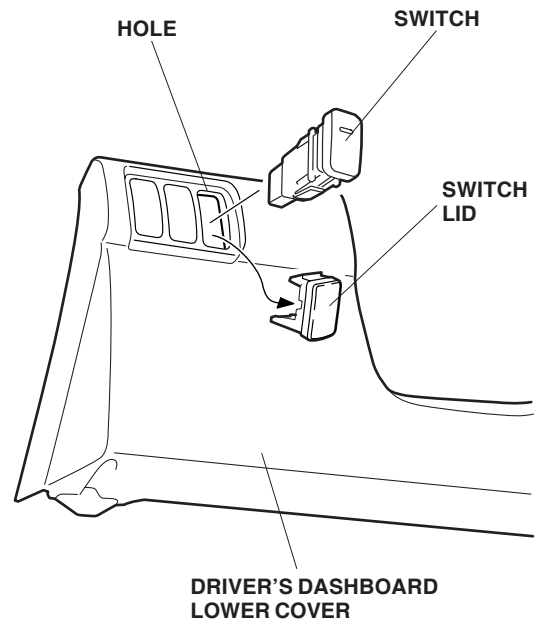
**NOTE:** If the 3-pin connector is already being used by another accessory, locate the 3-pin connector that is taped to that other accessory harness. Remove the dummy connector from that other accessory harness. Plug the switch harness 3-pin connector into the other accessory harness.



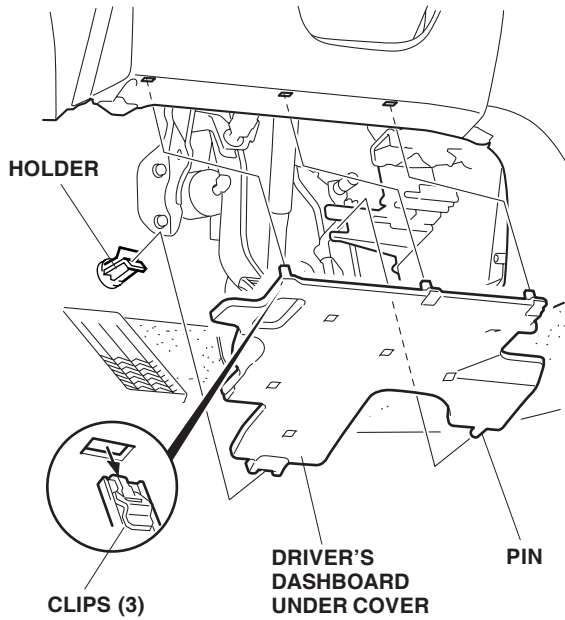
53. Secure the switch harness to the vehicle harness with the six wire ties in the areas shown.



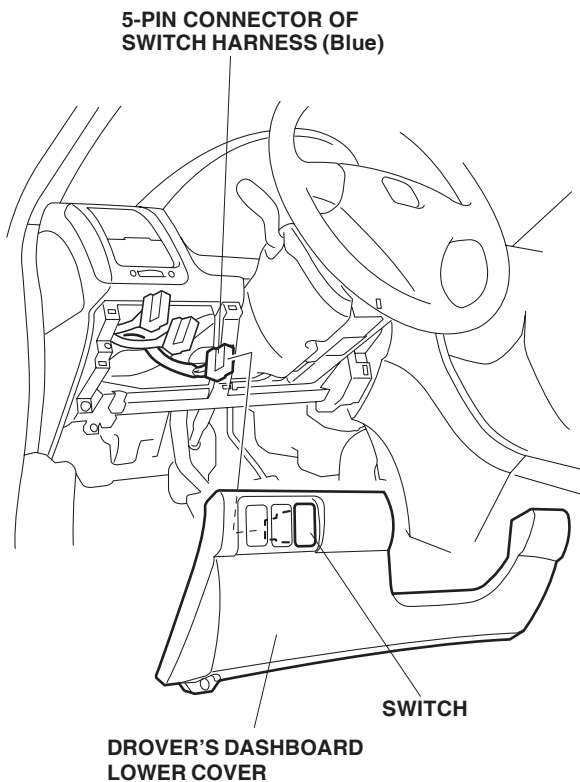
54. Remove the switch cover from the driver's side dashboard lower cover, and install the switch into the driver's dashboard lower cover.



55. If equipped, reinstall the driver's dashboard under cover.



56. Plug the switch harness 5-pin connector (blue) into the switch, then reinstall the dashboard lower cover.



57. Check that all wire harnesses are routed properly and all connectors are plugged in.
58. Reinstall all removed parts. Check that all clips and fasteners are installed securely.
59. Reconnect the negative cable to the battery.

## USE AND CARE

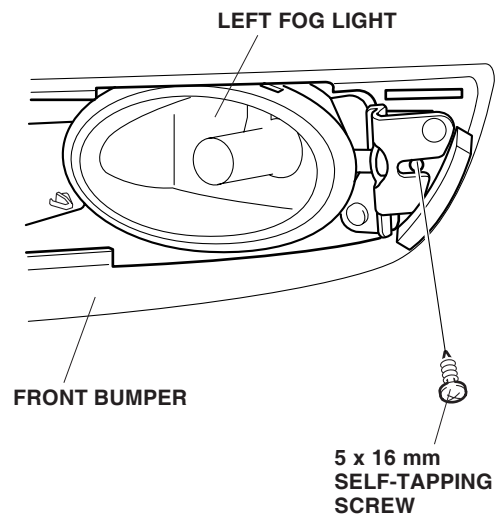
### How to Operate Fog Lights

- Turn the headlight switch to the "on" position (headlights on low beam).
- Press the fog light switch (indicator is on).

The fog light lenses can cloud when the outside temperature is cold; this is normal and should go away in warm weather.

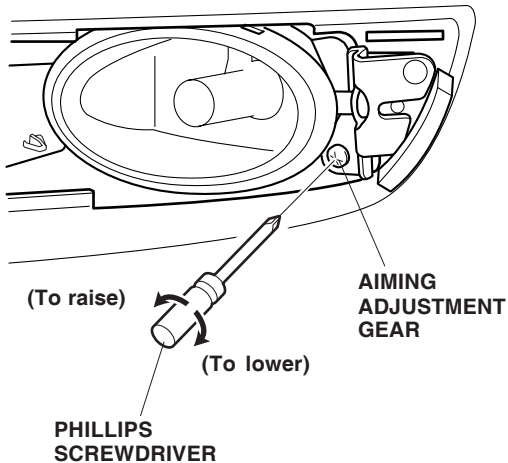
### Fog Light Aiming Adjustment

60. Install the left fog light on the front bumper with the 5 x 16 mm self-tapping screw.

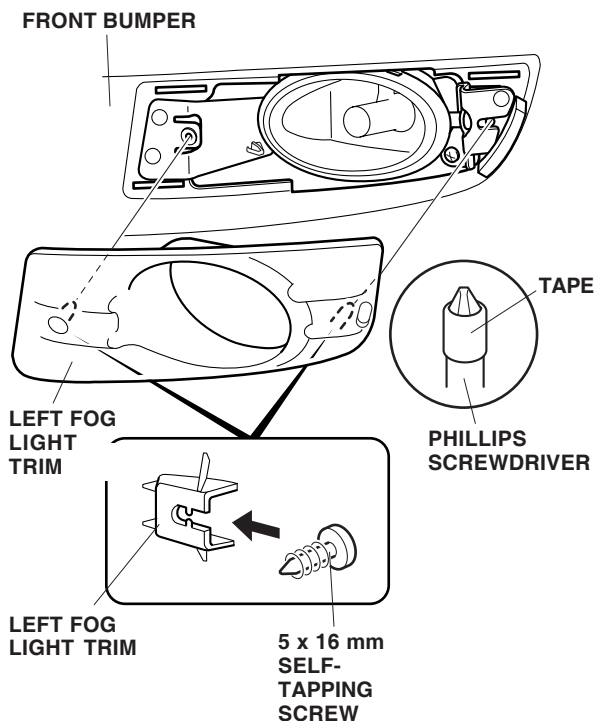


61. Adjust the fog light:

- To adjust, turn the aiming adjustment screw in or out until the correct aiming is obtained.
- Adjust the aiming according to local laws and regulations.



62. Install two 5 x 16 mm self-tapping screws on the left fog light trim. Wrap electrical tape around the end of the phillips screwdriver from the tip.



63. Install the left fog light trim on the front bumper with the two 5 x 16 mm self-tapping screws that you installed in step 63.

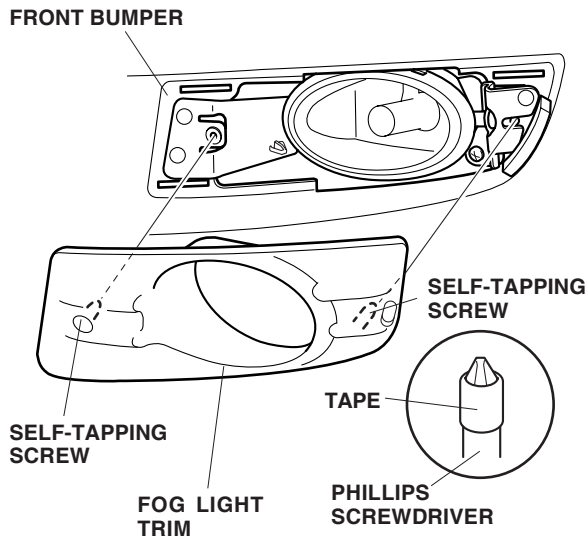
64. Reset the clock, and reset the radio station presets.

NOTE: Whenever the battery is disconnected, the driver's window AUTO function is disabled.

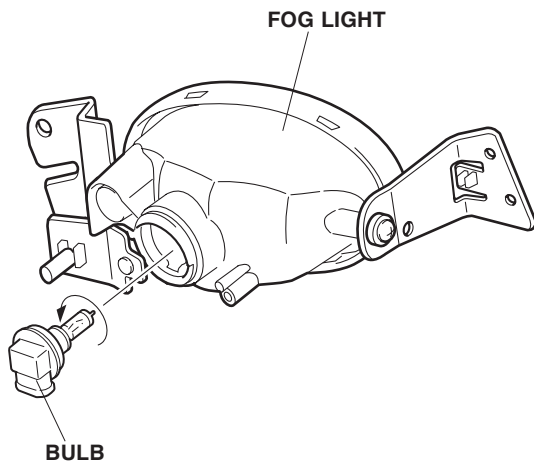
- 65. Start the engine. Push down on the driver's window switch until the window is fully open.
- 66. Pull up on the driver's window switch fully to close the window completely, then hold the switch for two seconds.
- 68. Test the driver's window AUTO function.

## BULB REPLACEMENT

1. Tighten the two self-tapping screws through the holes of the fog light trim. Remove the fog light trim from the front bumper. Wrap electrical tape around the end of the phillips screwdriver from the tip.



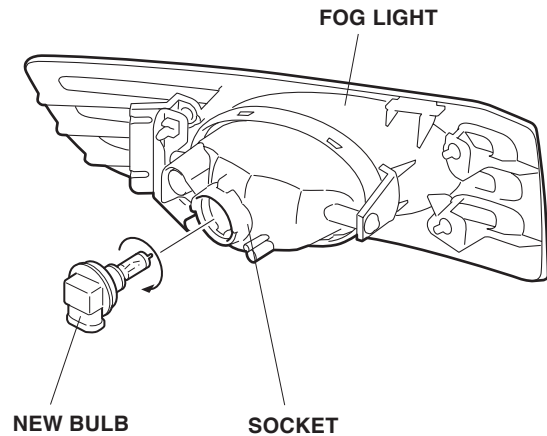
2. Remove the bulb.



3. Install the new bulb into the socket.
  - Use only a genuine Honda halogen light bulb of specified wattage.

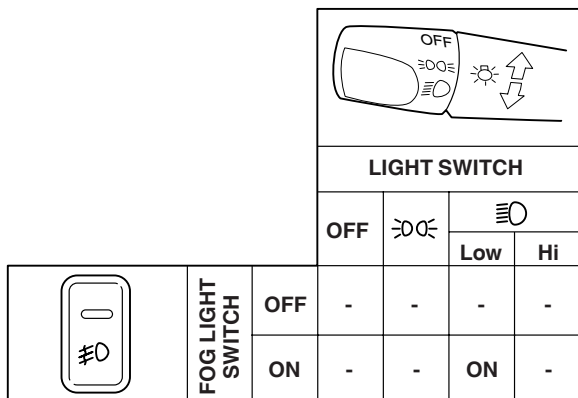
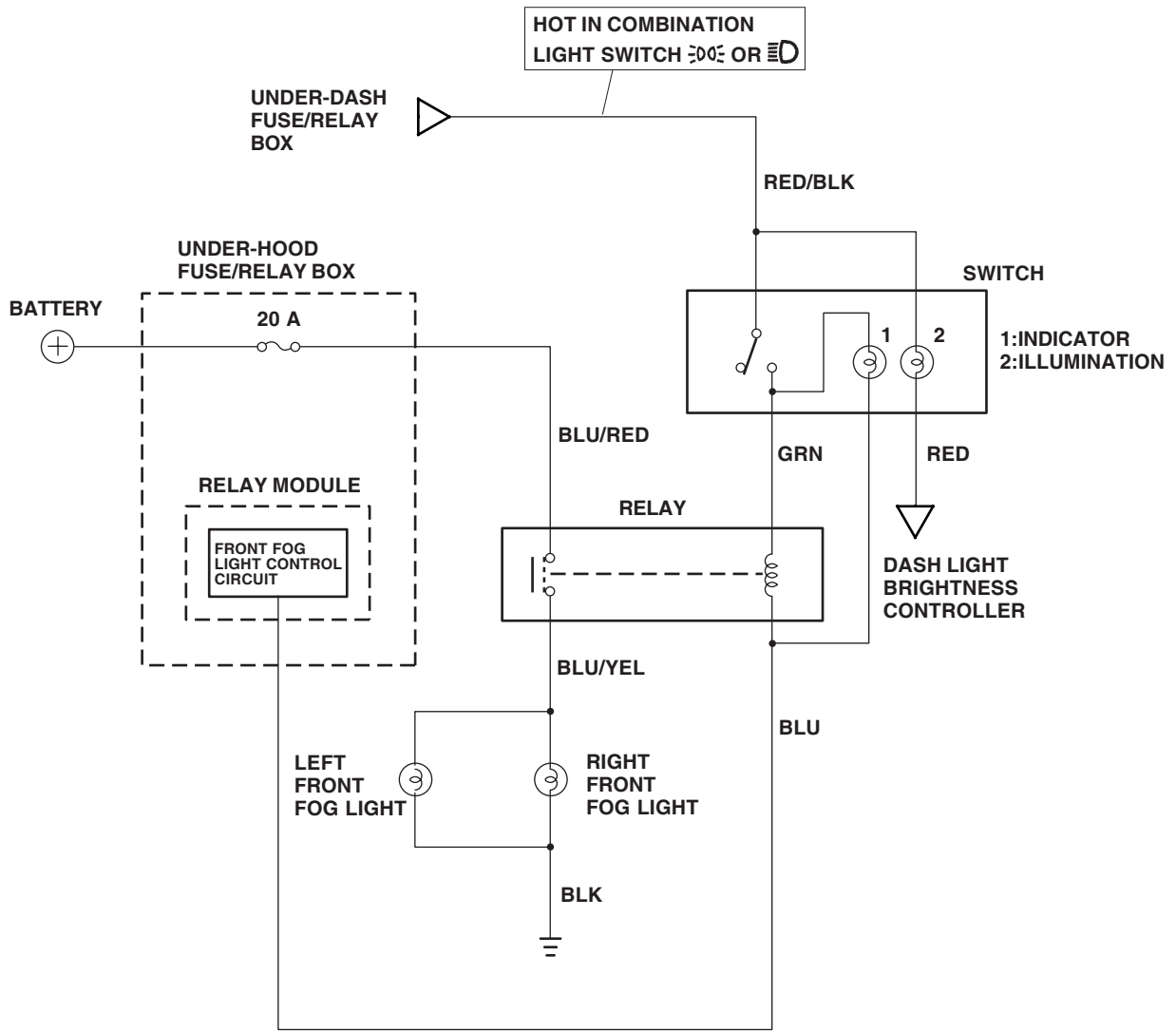
Rating: 12V 55W H11 Halogen Light Bulb  
P/N 33165-S5A-003

- Do not touch the bulb. Oily or greasy substances on the bulb can shorten its service life due to the heat produced when the bulb is turned on. If the bulb is accidentally touched, wipe it clean with a soft cloth that has been dampened with a denatured alcohol or a mild detergent solution.
- When installing the new bulb, align the tab on the fog light with the cutout in the bulb. If they are not aligned properly, the fog light beams may blind oncoming drivers.



4. Reinstall the removed parts in the reverse order of removal.
  - Check that the wire harnesses are not pinched.
  - Be sure to tighten the self-tapping screws and bolts securely.
5. Check the operation of the fog lights and, adjust the aiming if necessary.

# CIRCUIT DIAGRAM



BLK	BLACK	BRN	BROWN
YEL	YELLOW	ORN	ORANGE
BLU	BLUE	PUR	PURPLE
GRN	GREEN	NAT	NATURAL
RED	RED	PNK	PINK
WHT	WHITE	GRY	GRAY
LT BLU	LIGHT BLUE	LT GRN	LIGHT GREEN