



INSTALLATION INSTRUCTIONS

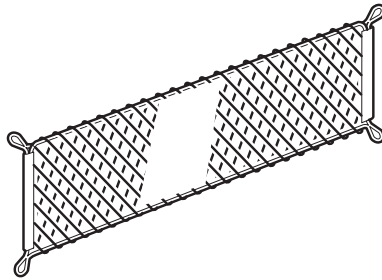
Accessory
CARGO NET
P/N 08L96-S5T-100

Application
2005 CIVIC Si

Publications No.
All 27934
Issue Date
AUG 2004

PARTS LIST

Cargo net



4 Hooks



4 Bolts



TOOLS REQUIRED

Tape measure

Felt-tip pen

Electrical tape or drill stop

Clip remover

Phillips screwdriver

Drill

3 mm and 7 mm Drill bits

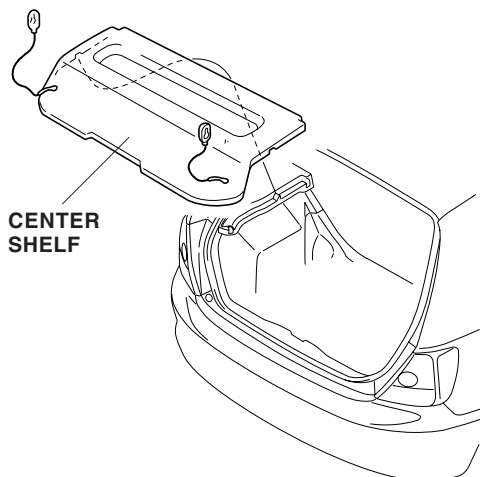
Eye protection (face shield, safety goggles, etc.)

File

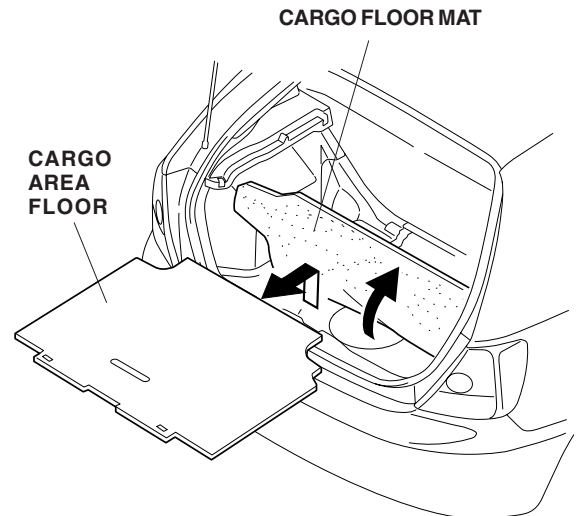
INSTALLATION

NOTE: If you are also installing an optional CD changer, install the cargo net hooks first.

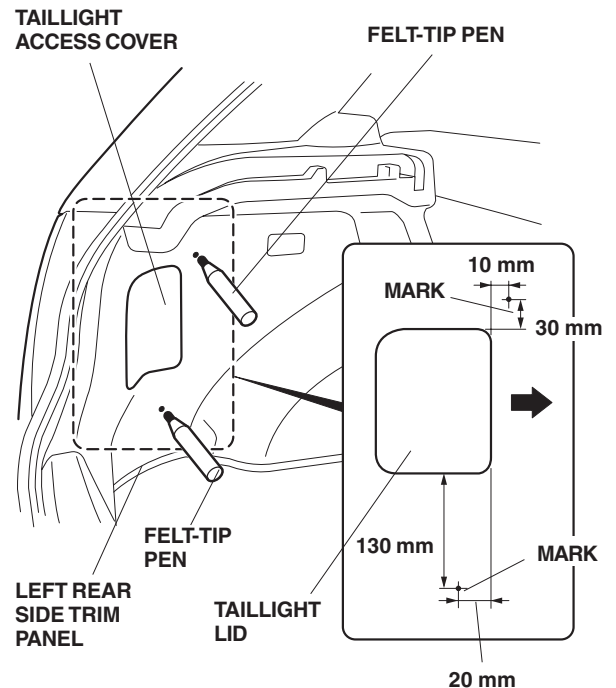
1. Open the hatch, and remove the center shelf.



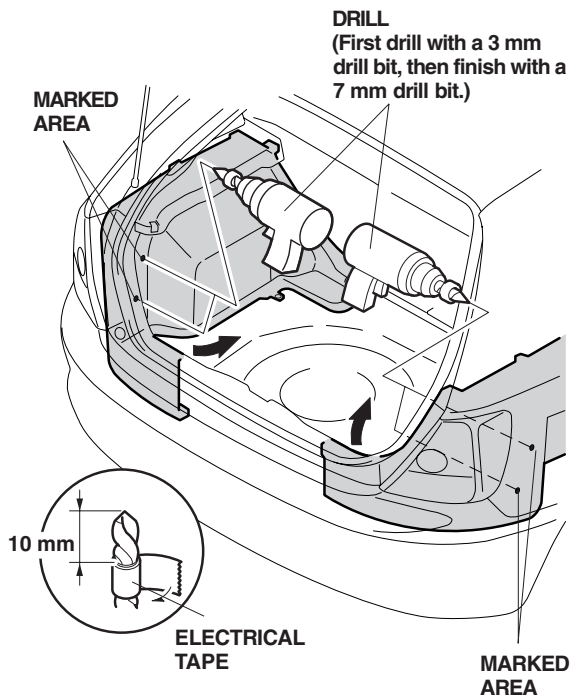
2. Turn over the cargo floor mat, and remove the cargo area floor.



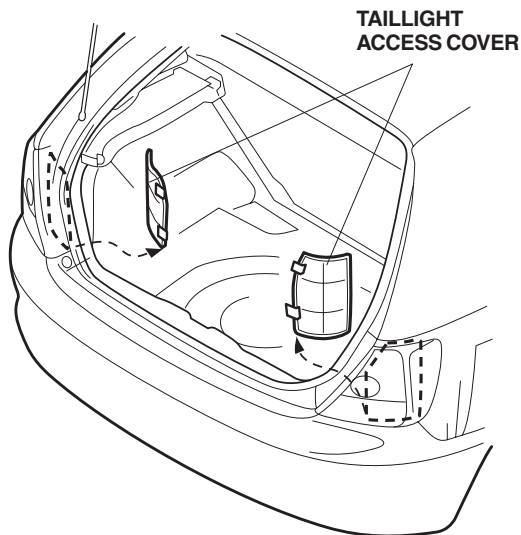
3. Using a tape measure and a felt-tip pen, measure and mark the left rear side trim panel at the two points shown.



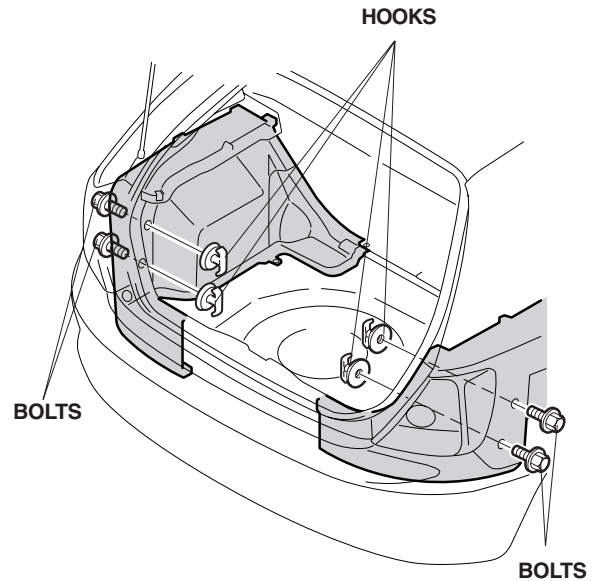
4. While wearing eye protection, drill a 7 mm hole through each of the marks you made.
 - First drill with a 3 mm bit, then finish with a 7 mm bit.
 - To prevent drilling through the inner panel, wrap electrical tape around the drill bit 10 mm away from the tip, or use a drill stop.
 - Remove any burrs from the edges of the holes with a file.



5. Repeat steps 3 and 4 to mark and drill the right rear side side trim panel.
6. Remove the right and left rear taillight access covers.



7. On each side of the vehicle, reach through the taillight access hole, pull the insulator out of the way, and insert two bolts through the holes you drilled. On the outside of the panel, thread one hook onto each bolt. Tighten the hooks securely.



8. Reinstall the cargo area floor and the cargo floor mat.
9. Attach the cargo net to the hooks.

