

**INSTALLATION  
INSTRUCTIONS**

Accessory

**CARGO NET**  
P/N 08L96-S9A-100

Application

**2005 CR-V**

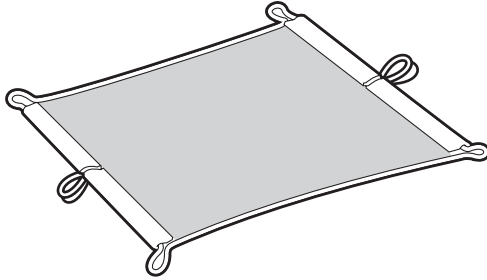
Publications No.

**All 27166**

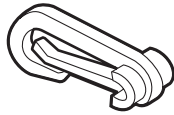
Issue Date

**SEP 2004****Put this information in the glove box with the vehicle owner's manual.****PARTS LIST**

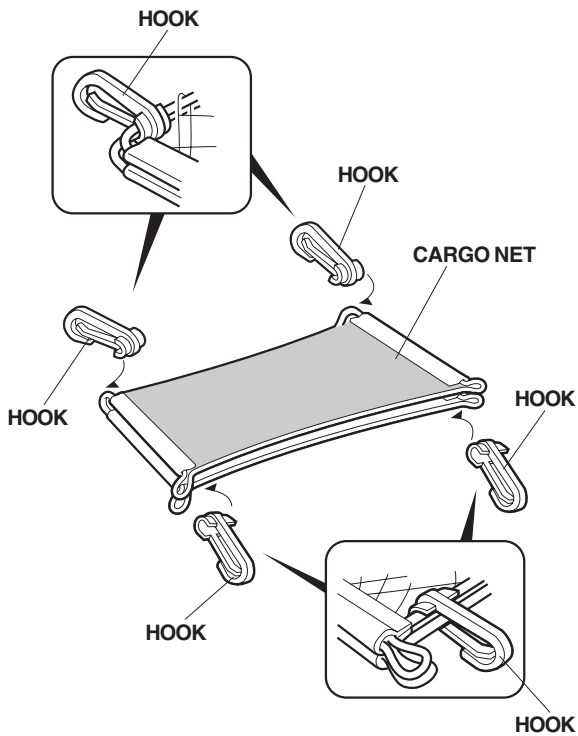
Cargo net



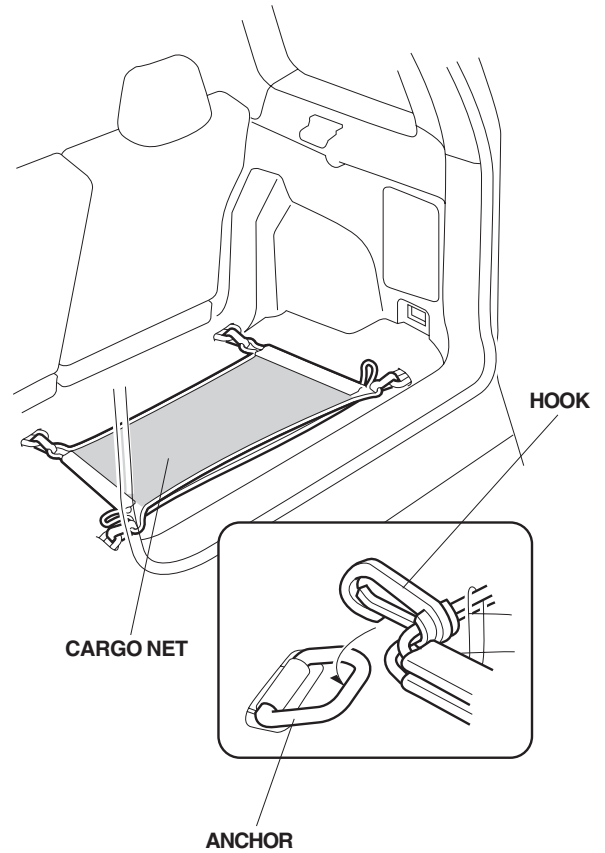
4 Hooks

**INSTALLATION**

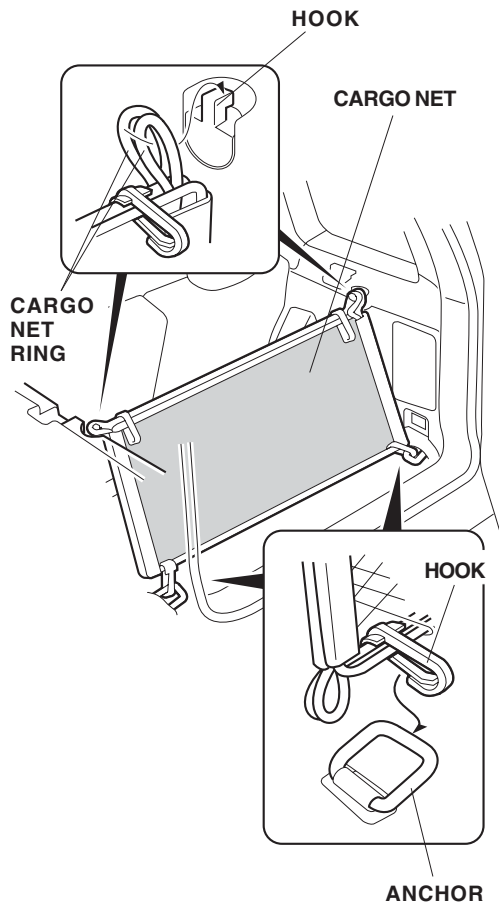
1. Attach the four hooks onto the cargo net as shown.



2. Attach the hooks to the anchors in the trunk. The cargo net can be installed in two different positions.

**Horizontal Position:**

**Vertical Position:**



**NOTE**

- Do not allow the weight of cargo to exceed 22 lb (10 kg).
- Do not store large or fragile objects in the net.
- Do not store objects with sharp edges or corners, as they may damage the cargo net or the vehicle. Wrap such objects in paper or a blanket so they will not contact the net directly.