



# INSTALLATION INSTRUCTIONS

Accessory

**CARGO NET**  
P/N 08L96-SCV-100

Application

**2005 ELEMENT**

Publications No.

**All 28653**

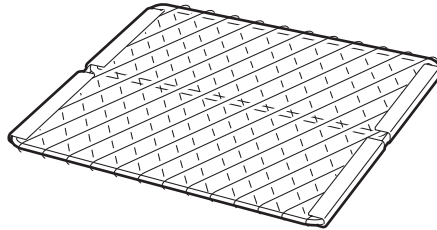
Issue Date

**DEC 2004**

**Put this instruction in the glove box with the vehicle owner's manual.**

## PARTS LIST

Cargo net



4 Hooks



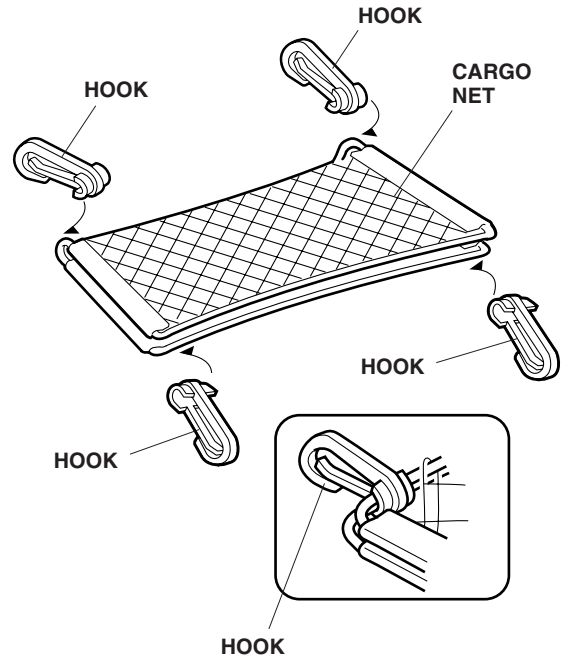
## INSTALLATION

### NOTE

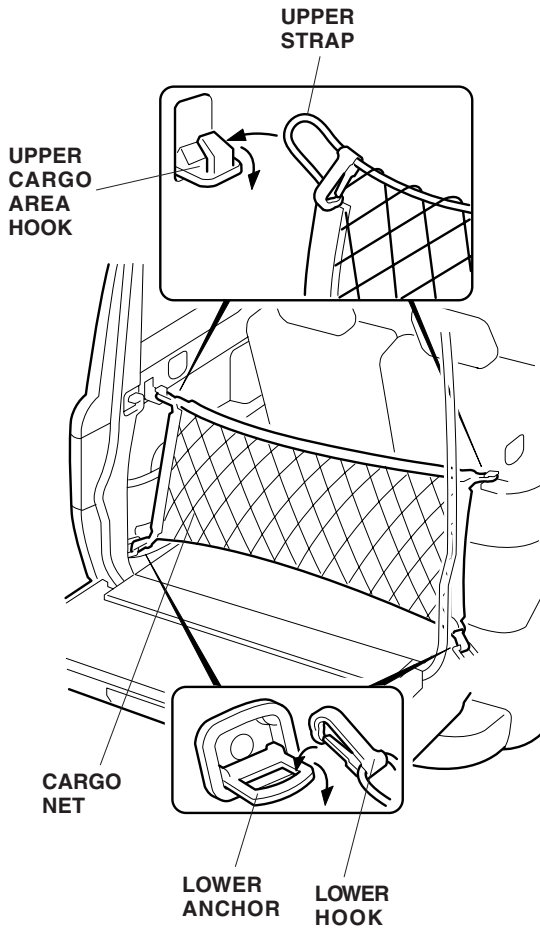
- Do not allow the weight of cargo to exceed 22 lb (10 kg).
- Do not store large or fragile objects in the net.
- Do not store objects with sharp edges or corners, as they may damage the cargo net or the vehicle. Wrap such objects in paper or a blanket so they will not contact the net directly.
- The cargo net can be installed in the vertical or the horizontal position.

## Vertical Position

1. Fold the cargo net and install the four hooks in the areas shown.

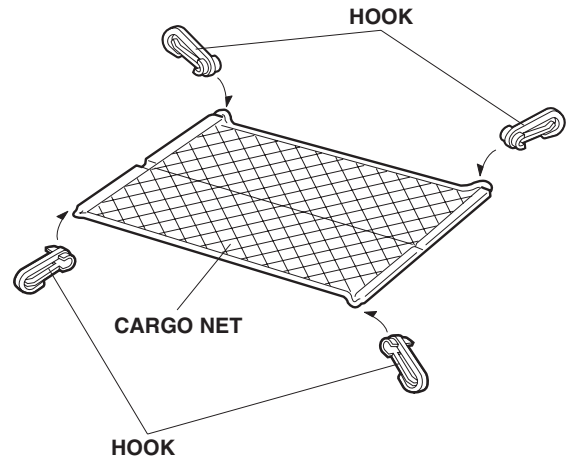


2. Attach the upper straps of the cargo net to the upper cargo area hooks as shown. Attach the cargo net hooks to the lower anchors in the cargo area as shown.



### Horizontal Position

3. Attach the four hooks onto the cargo net as shown.



4. Raise the rear seats.
5. Attach the cargo net hooks to the anchors in the cargo area.

