



INSTALLATION INSTRUCTIONS

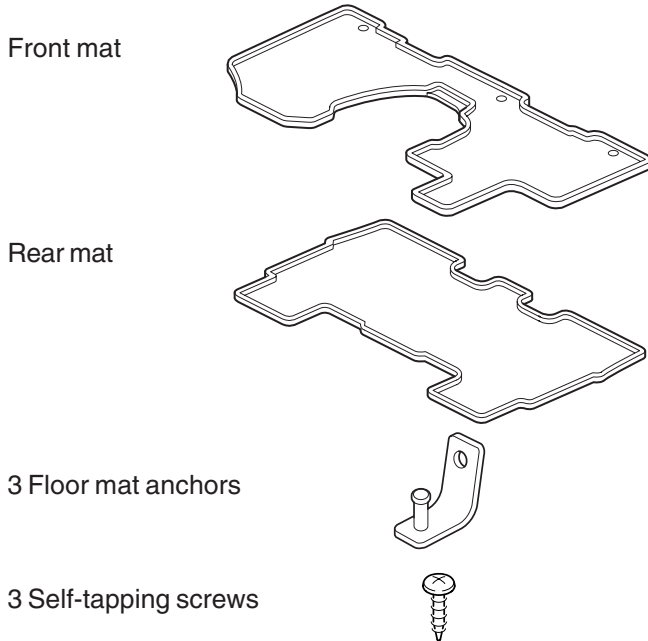
Accessory
ALL SEASON FLOOR MATS
08P13-SCV-100

Application
2005 ELEMENT

Publications No.
All 28649
Issue Date
DEC 2004

Put this instruction in the glove box with the vehicle owner's manual.

PARTS LIST



TOOLS REQUIRED

- Phillips screwdriver
- Utility knife
- Tape measure

INSTALLATION

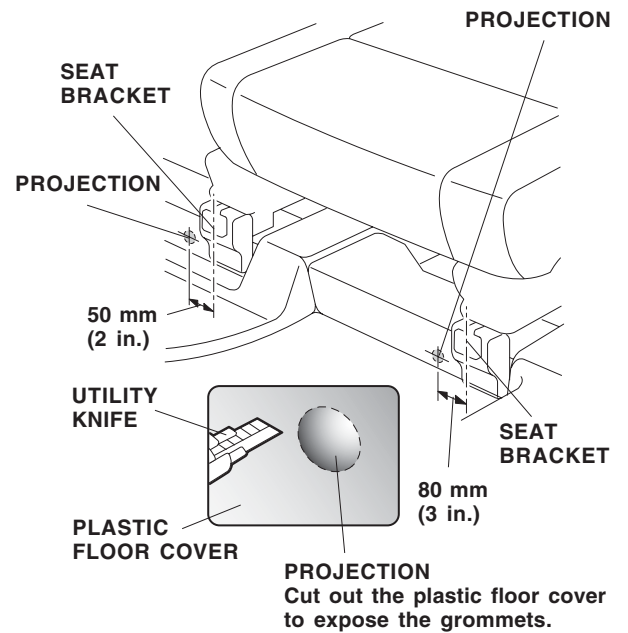
NOTE:

- A floor mat anchor prevents the front floor mat from sliding forward and possibly interfering with the pedals.
- If you remove the front floor mat, make sure you re-anchor it when you put it back in your vehicle.
- If you replace the floor mat, use factory floor mats designed to be used with the floor mat anchor.
- If you use a non-factory floor mat in the driver's foot well, make sure it fits properly, and that it can be used with the floor mat anchors.
- Do not put additional floor mats on top of the anchored mat; the additional mats may slide forward and possibly interfere with the pedals.

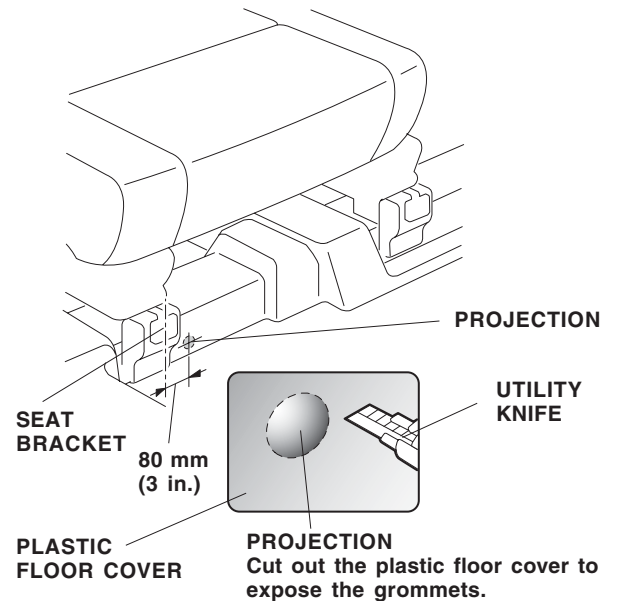
Installing the Anchors

1. In front of the driver's and passenger's seats locate the projections on the plastic floor cover. Using a utility knife cut out the projections to expose the plastic grommets.

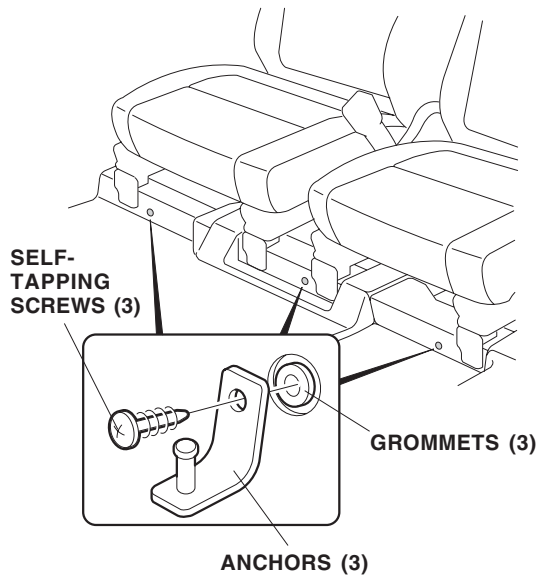
Driver's Seat:



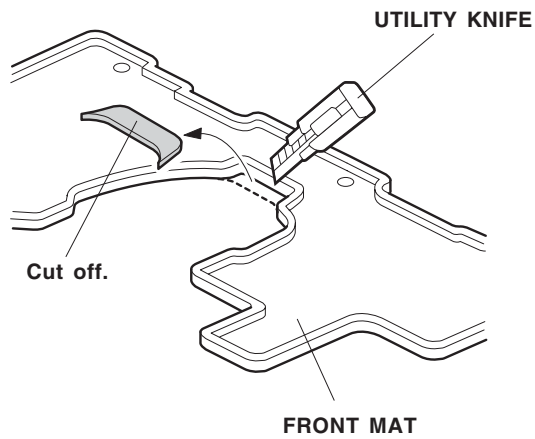
Passenger's Seat:



2. Install an anchor to each of the three grommets using one self-tapping screw for each anchor.

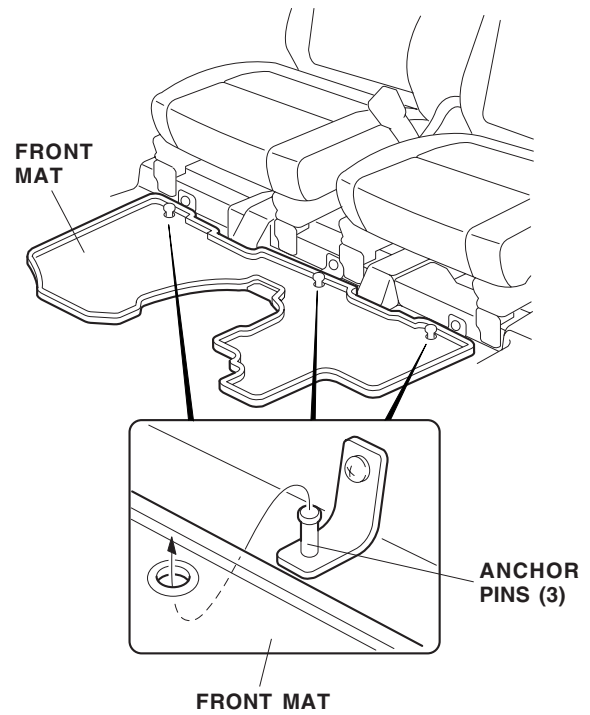


3. On the EX model vehicle, use a utility knife to cut out the center of the front floor mat to fit around the subwoofer.



Installing the Floor Mats

4. Install the front floor mat by hooking the three floor mat rings over the three anchor pins.



5. Install the rear mat.

