



INSTALLATION INSTRUCTIONS

Accessory

ALL SEASON/CARPET FLOOR MAT

Application

2008 FIT

Publications No.

All 39067

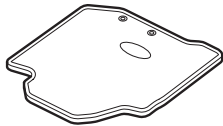
Issue Date

JUNE 2008

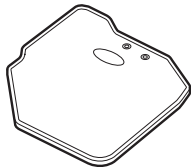
PARTS LIST

Floor mat

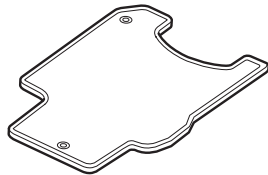
Left front floor mat



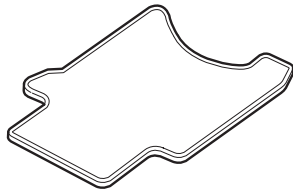
Right front floor mat



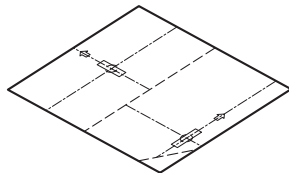
Right rear floor mat



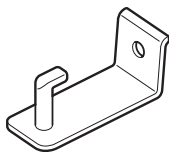
Left rear floor mat



Template



4 Front holders



4 Grommets



4 Self-tapping screws



2 Rear hook holders



2 Rear base holders



TOOL REQUIRED

Phillips screwdriver

Utility knife

Masking tape

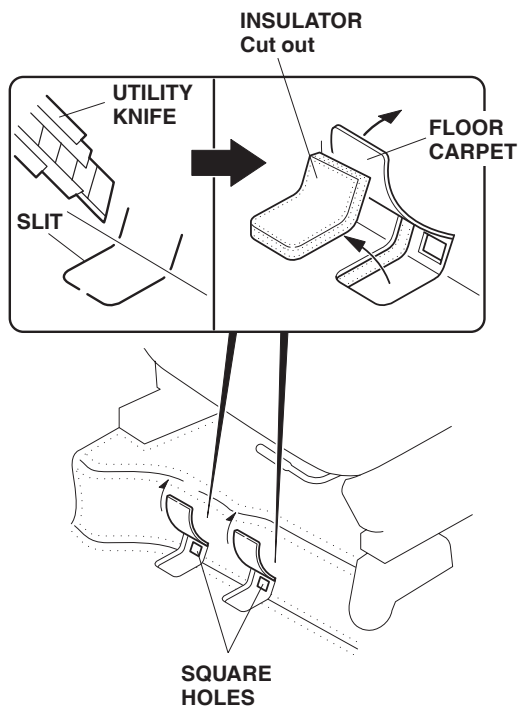
Scissors

INSTALLATION

NOTE: Before installation, confirm the installation locations of the floor carpet mats.

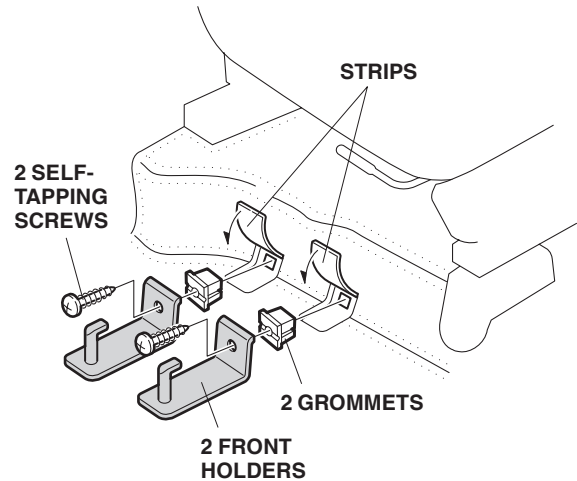
Installing the Front Holders

1. Slide the driver's seat completely to the rear.



2. Make cuts with a utility knife at the slits in the floor carpet at the two locations shown.
3. Cut the insulator matching the previously cut hole.

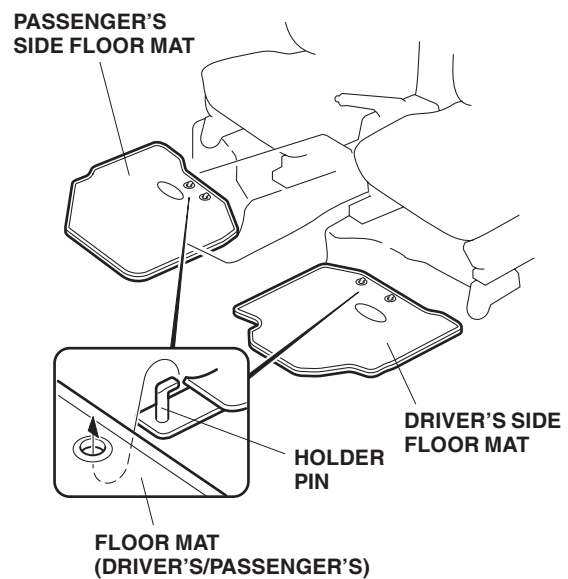
4. Under the front of the driver's seat, turn over the two strips of floor carpet to expose the two square holes in the floor panel concealed under them. Push a grommet into each square hole as shown.



5. Position the front holders on the grommets and install the two self-tapping screws.
6. Install the passenger's holders the same way.

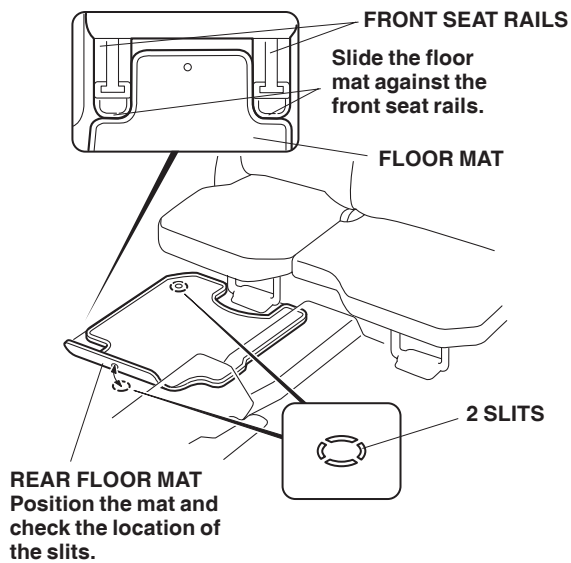
Installing the Front Floor Mats

7. Match the two holes in the driver's side mat and passenger's side mat with the pins on the holders and install the floor mat on the driver's side and passenger's side.

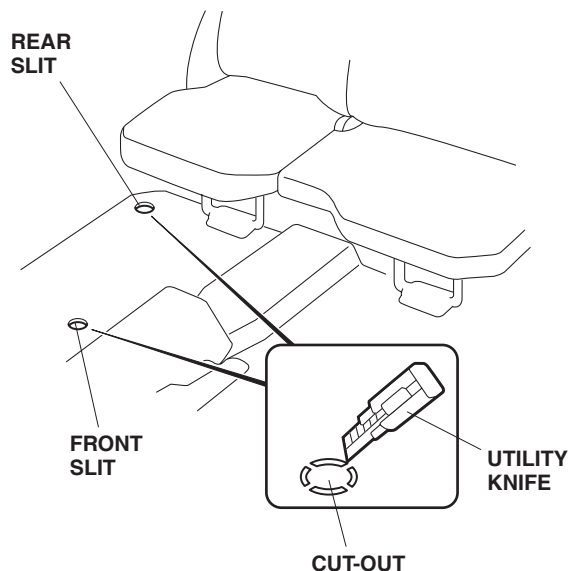


Installing the Rear Holders

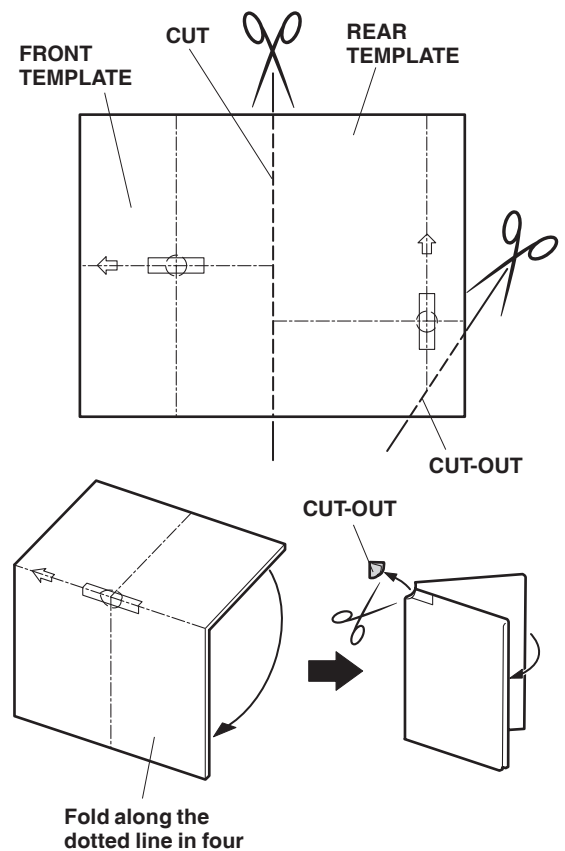
- Slide the front passenger's seat completely forward.



- Using the right rear mat as a guide locate the slits in the floor carpet, and then remove the floor mat.
- Using a utility knife, cut the two slits in the floor carpet on the passenger side and remove the round piece of carpet.

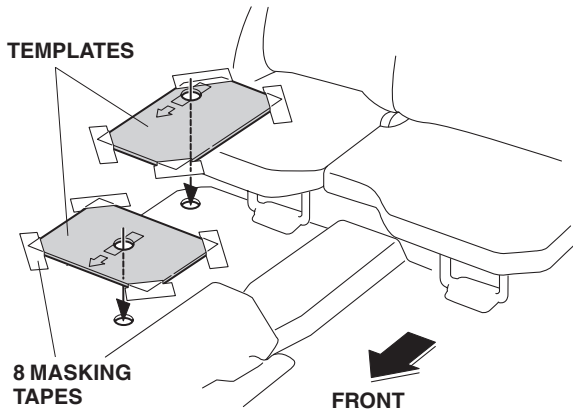


- Using scissors, cut the dashed lines to separate the two templates and trim one corner of the rear template.

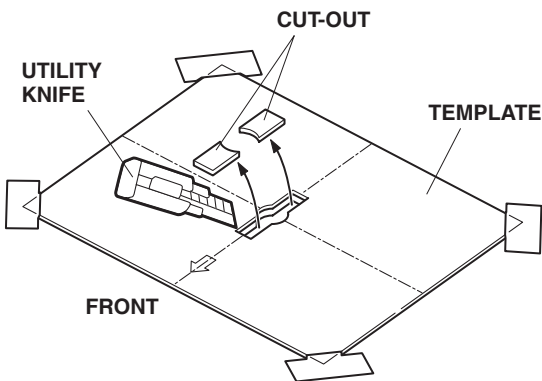


- Fold each template along the dotted lines. Using scissors cut the dashed lines to remove the circle from each of the templates.

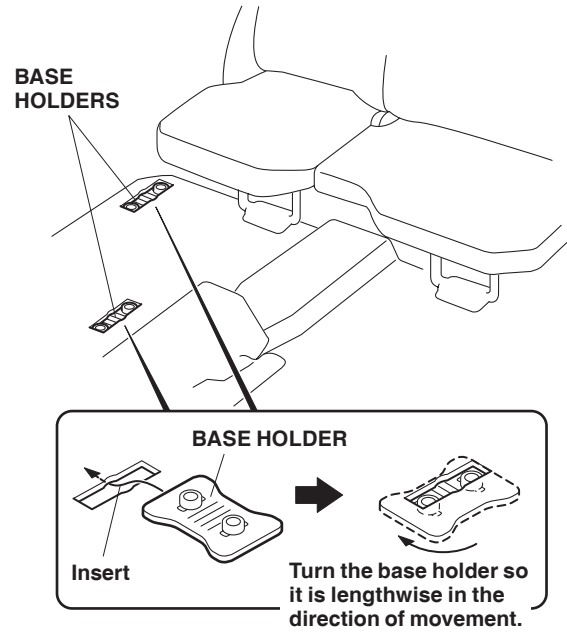
13. With the arrows facing front, position the front and rear templates over the round cut-outs you made in step 10.



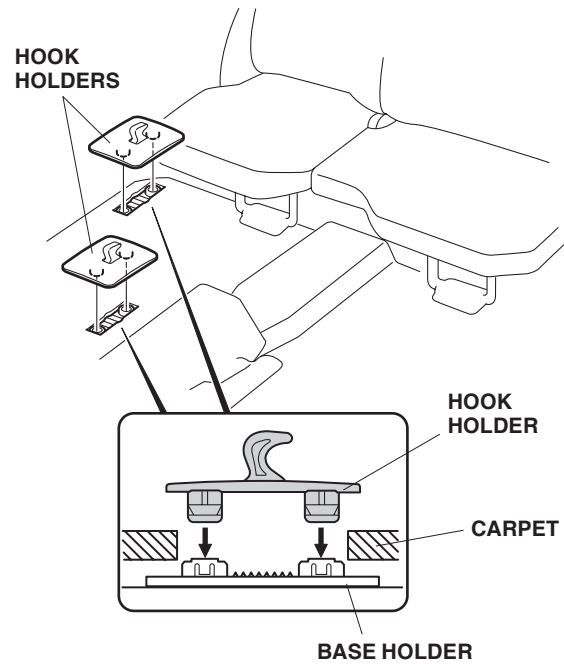
14. Attach each of the templates to the floor carpet with eight pieces of masking tape.
15. Cut-out the rectangles, taking care not to cut too long, and remove the cut pieces of carpet.



16. Insert the base holders through the cut-outs in the floor carpet and rotate them into position.



17. Place one hook holder over each base holder with the arrow on the hook holders facing forward. Push down to snap the hook holders and base holders together, making sure they are completely joined.



Installing the Rear Mat

18. Match the two holes in the rear mat with pins on the holders. Install the rear right and left floor mats as shown.

