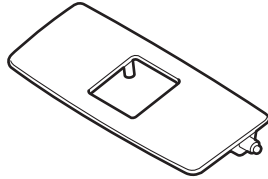
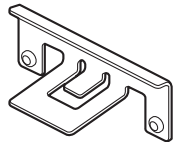


**PARTS LIST**
**HFL Attachment Kit**

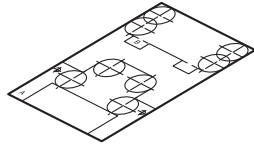
HFL trim



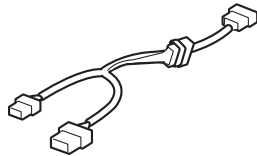
HFL bracket



Template



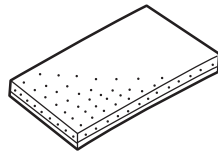
HFL harness



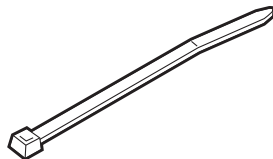
4 Self-tapping screws, 3 x 10 mm



EPT sealer



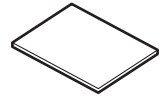
Wire tie



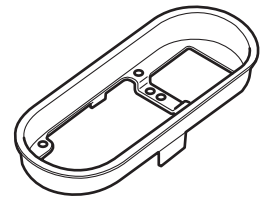
2 Washer screws, 4 x 12 mm



2 Double-faced tapes



HFL retainer



Bushing



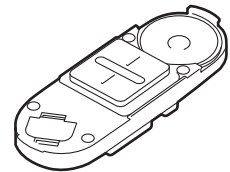
2 Self-tapping screws, 3.5 x 10 mm



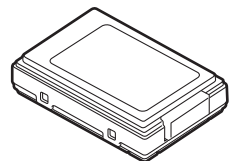
Rubber stopper

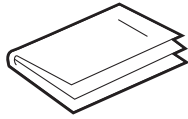

**HFL Kit  
P/N 08E00-E10-100**

Switch



Control unit

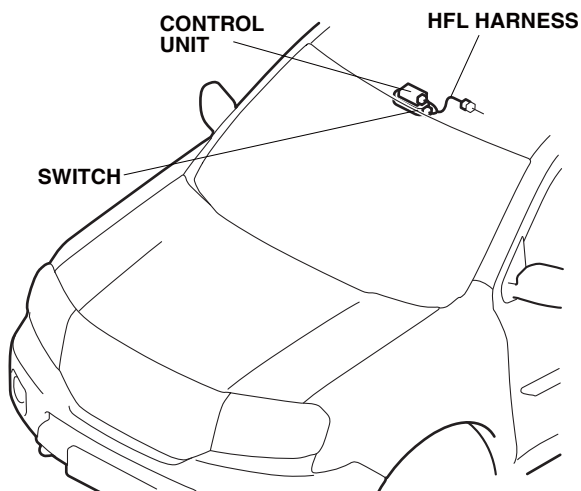




## TOOLS AND SUPPLIES REQUIRED

Phillips screwdriver  
Flat-tip screwdriver  
Shop towel  
Diagonal cutters  
Ratchet  
10 mm Socket  
10 mm Combination wrench  
Utility Knife  
Eye protection  
Isopropyl alcohol  
Felt-tip pen  
Tape  
Pushpin  
Drill  
3 mm, 5 mm, and 9 mm Drill bits  
19 mm Hole saw  
Scissors  
Plastic trim tool  
T/N SILTRIMTL 10

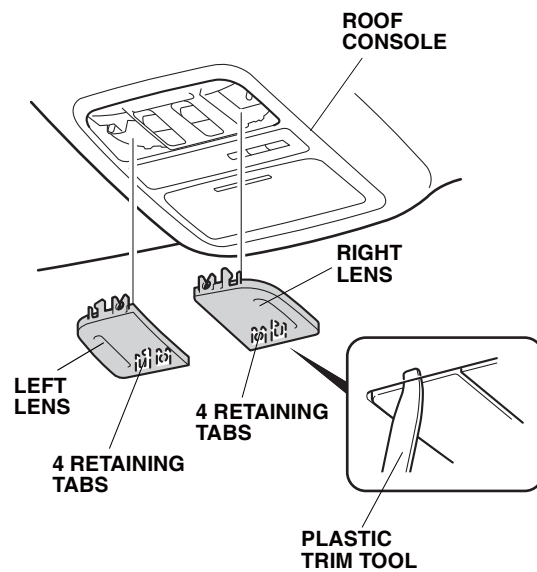
### *Illustration of the HFL Installed on the Vehicle*



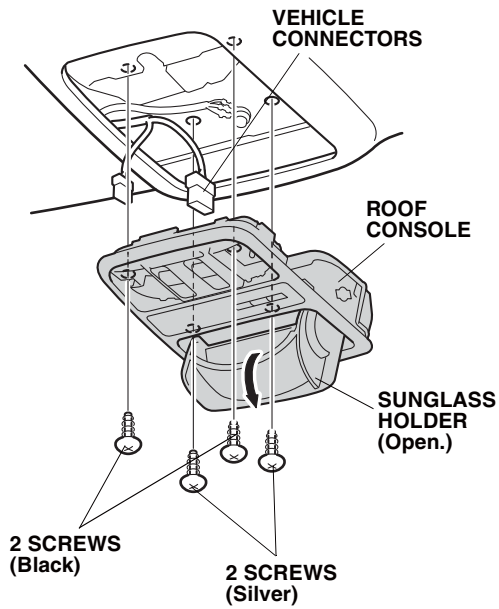
## INSTALLATION

**Customer Information:** The information in this installation instruction is intended for use only by skilled technicians who have the proper tools, equipment, and training to correctly and safely add equipment to your vehicle. These procedures should not be attempted by “do-it-yourselfers.”

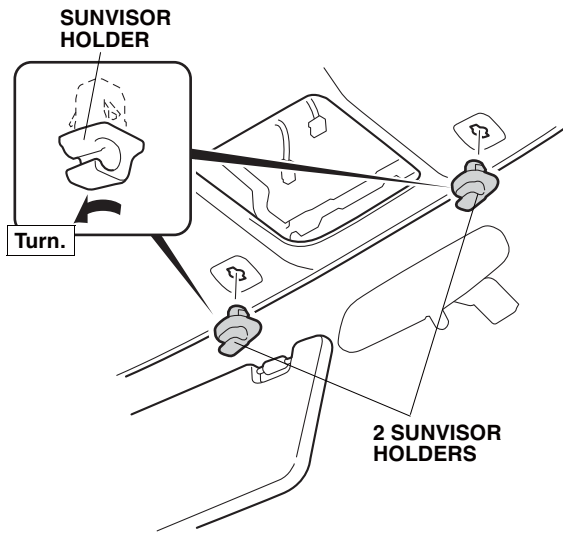
1. Make sure you have the anti-theft code for the audio system or the navigation system. (if equipped)
2. Disconnect the negative cable from the battery.
3. Using a plastic trim tool, disengage the eight retaining tabs and remove left and right lens from the roof console.



4. Open the sunglass holder.

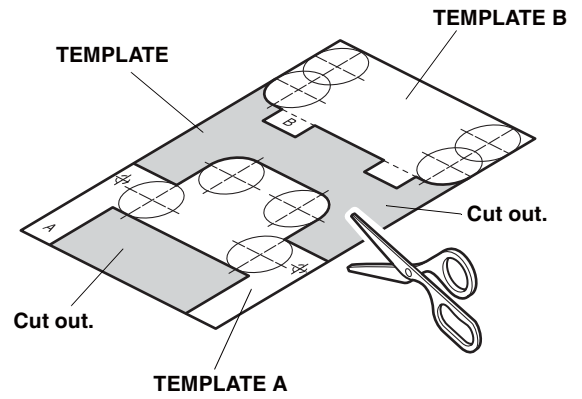


5. Remove the two black screws and the two silver screws and let the roof console drop down. Unplug the vehicle connectors and remove the roof console.
6. Rotate the two sunvisor holders counterclockwise 45°, and remove the two sunvisor holders.

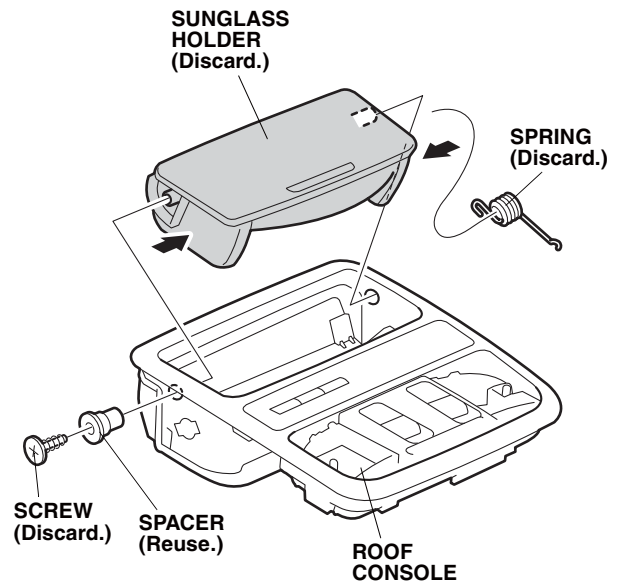


## Installing the Control Unit and Routing the Harness

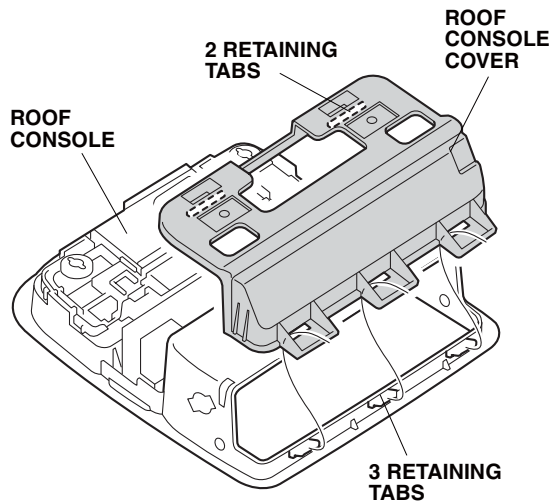
7. Using a scissors, cut out template A and template B.



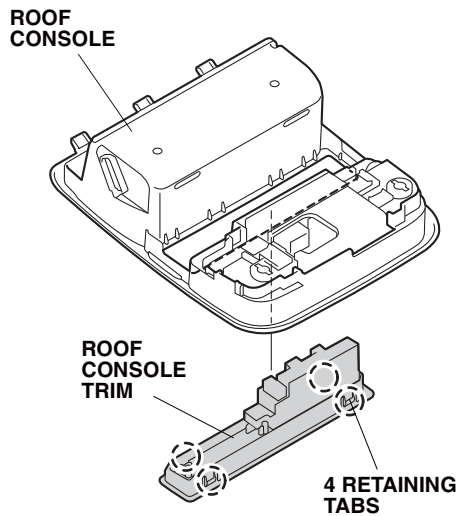
8. Remove the sunglass holder from the roof console (one screw, one spacer and one spring).



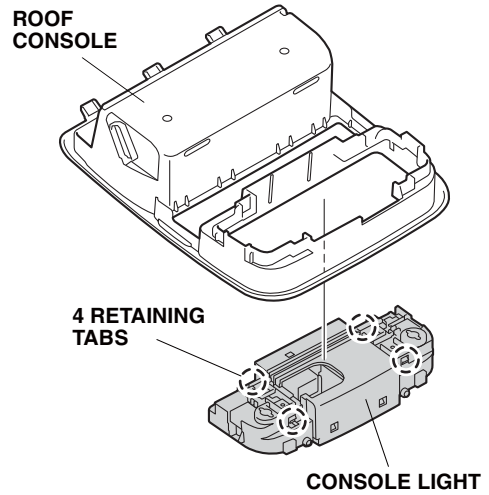
9. Remove the roof console cover from the roof console (five retaining tabs).



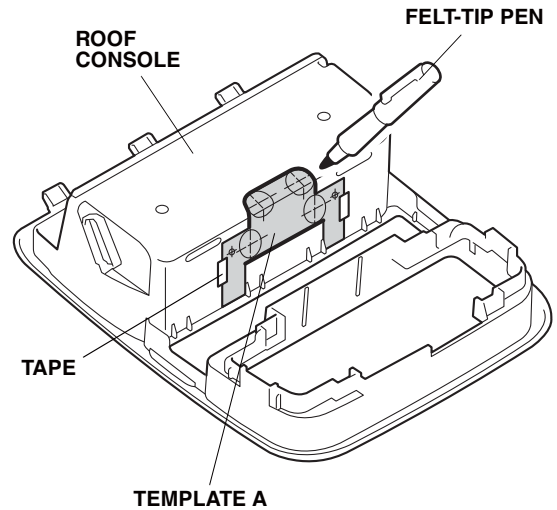
10. Remove the roof console trim from the roof console (four retaining tabs).



11. Remove the console light from the roof console (four retaining tabs).

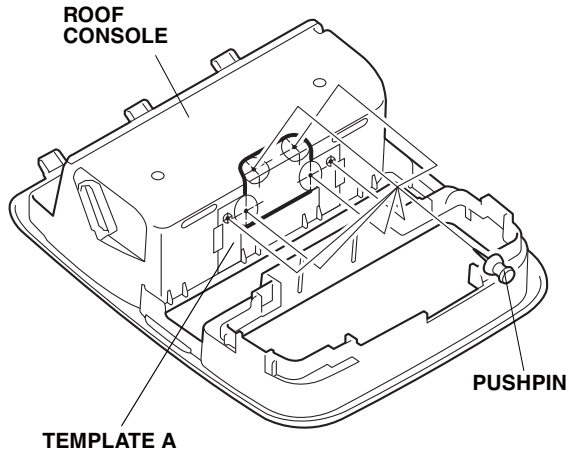


12. Tape template A to the roof console at the indicated position.

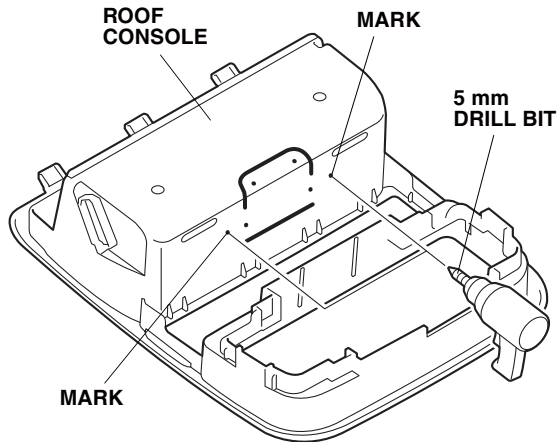


13. Using a felt-tip pen, mark the roof console around template A.

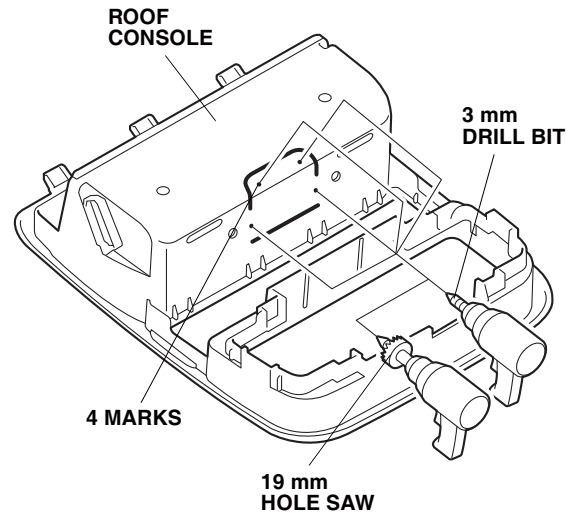
14. Using a pushpin, mark the roof console as indicated on the template. Remove template A.



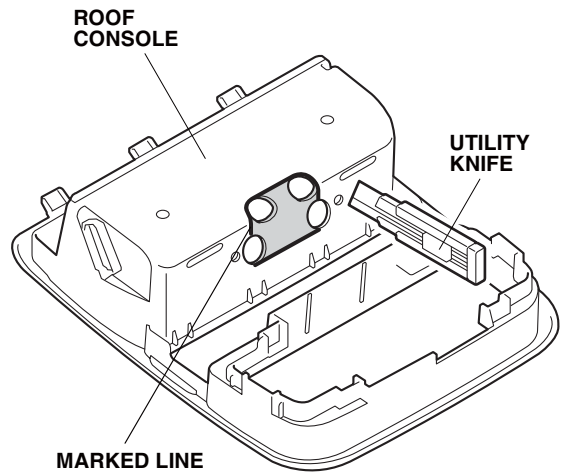
15. While wearing eye protection, drill the two marked locations to 5 mm. Remove any burrs.



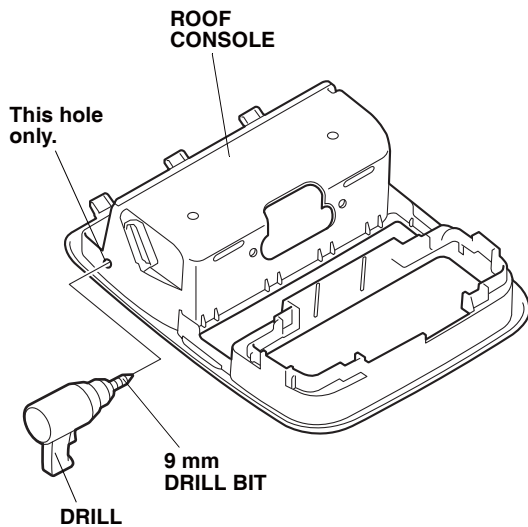
16. While wearing eye protection, drill the four marked locations to 19 mm. First drill with a 3 mm drill bit and finish with a 19 mm hole saw.



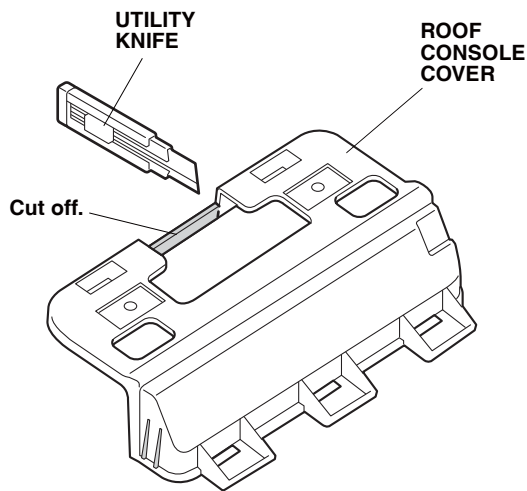
17. Using a utility knife, cut along the marked line on the roof console as shown. After cutting, remove any burrs.



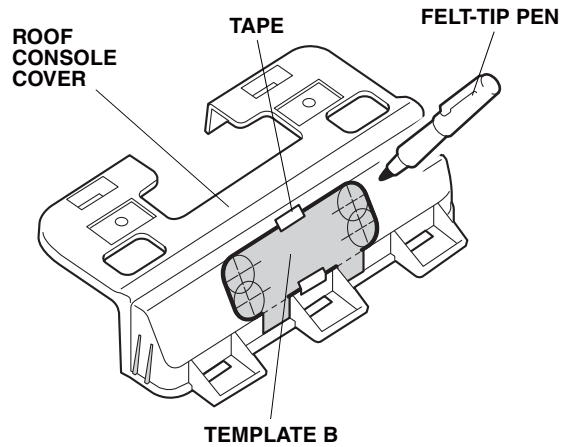
18. While wearing eye protection, enlarge the sunglass holder installation hole in the roof console using a 9 mm drill bit. Remove any burrs from the edge edge of the hole.



19. Using a utility knife, cut off the roof console cover as shown.

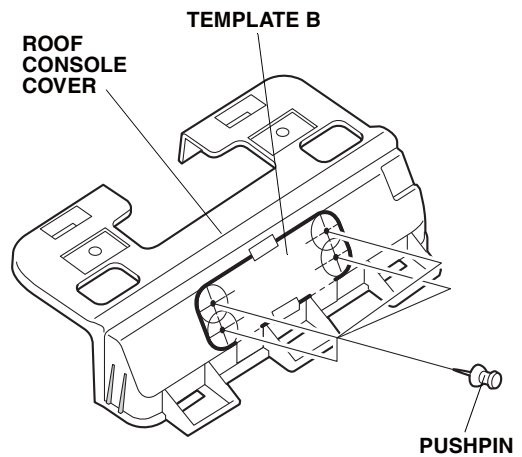


20. Tape template B to the roof console cover at the indicated position.

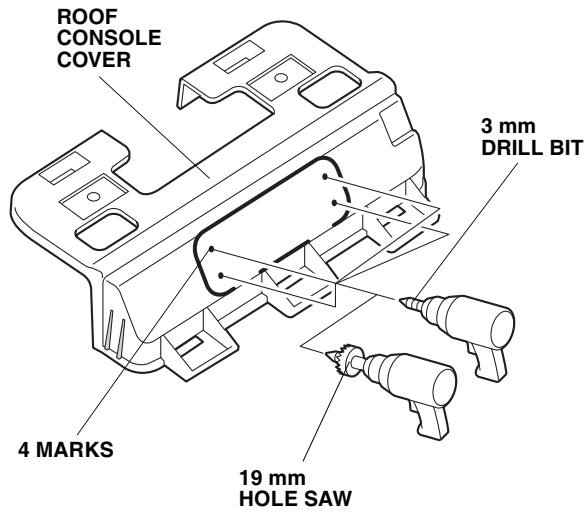


21. Using a felt-tip pen, mark the roof console cover around the template.

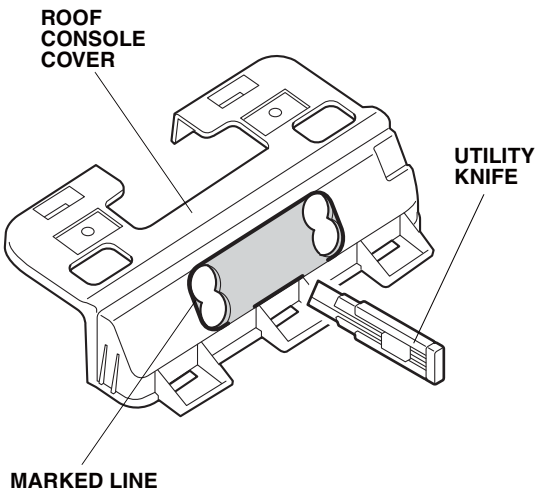
22. Using a pushpin, mark the roof console cover as indicated on the template. Remove template B.



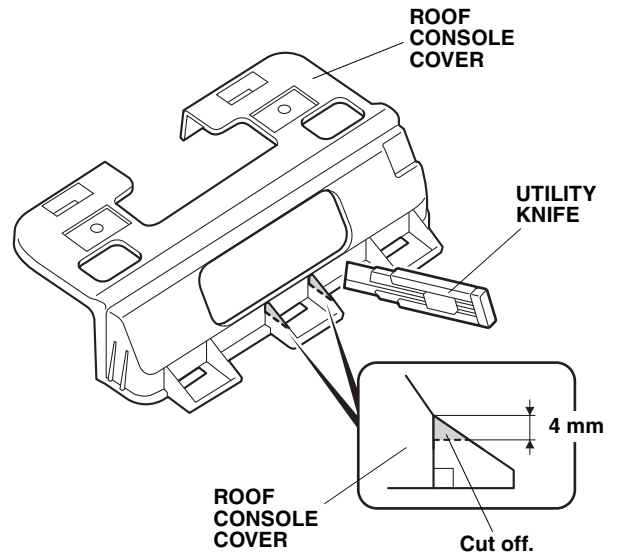
23. While wearing eye protection, drill the four marked locations to 19 mm. First drill with a 3 mm drill bit and finish with a 19 mm hole saw.



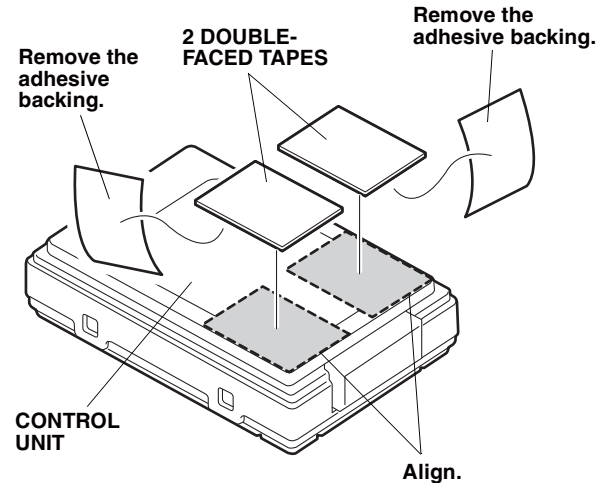
24. Using a utility knife, cut along the marked line on the roof console cover as shown. After cutting, remove any burrs.



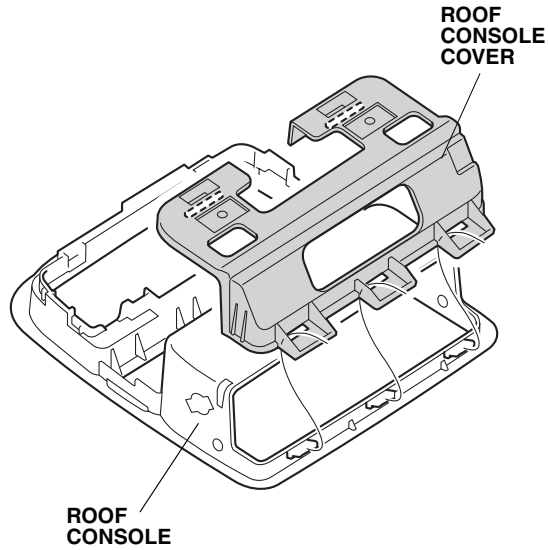
25. Using a utility knife, cut off the roof console cover in the positions shown.



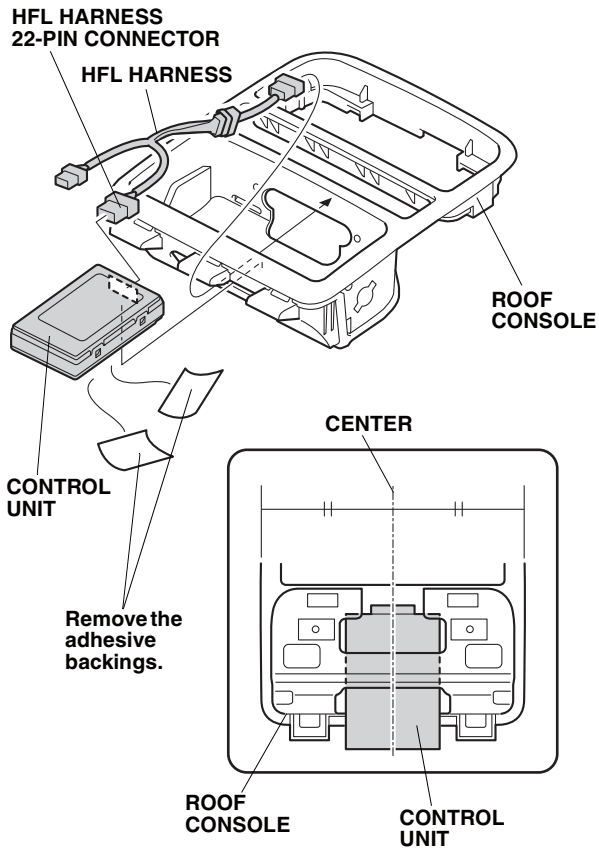
26. Using an isopropyl alcohol on a clean shop towel, clean the areas where the double-faced tapes will attach. Remove the adhesive backings from the double-faced tapes, and attach them to the control unit as shown.



27. Reinstall the roof console cover to the roof console.

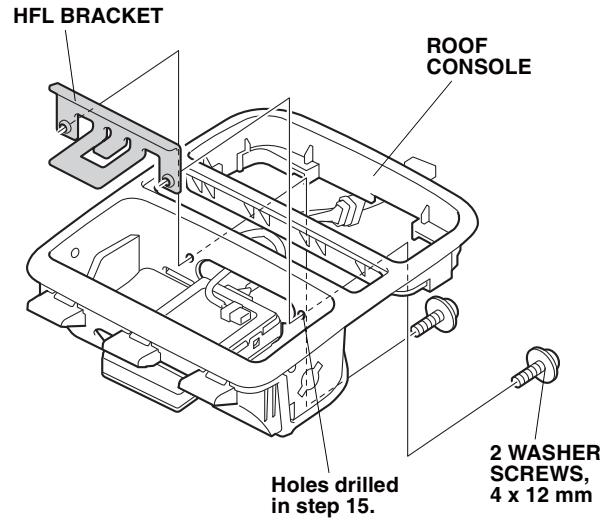


28. Plug the HFL harness 22-pin connector into the control unit.

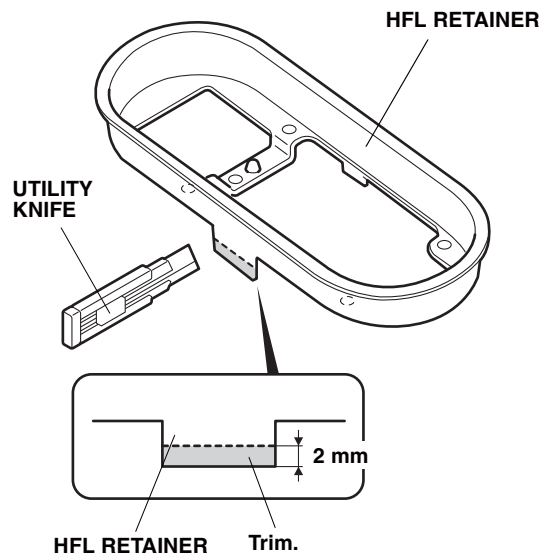


29. Using isopropyl alcohol on a shop towel, clean the areas where the double-faced tapes will attach. Remove the adhesive backings from the double-faced tapes, and attach control unit to the roof console as indicated.

30. With the two 4 x 12 mm washer screws and the holes drilled in step 15, secure the HFL bracket to the roof console.

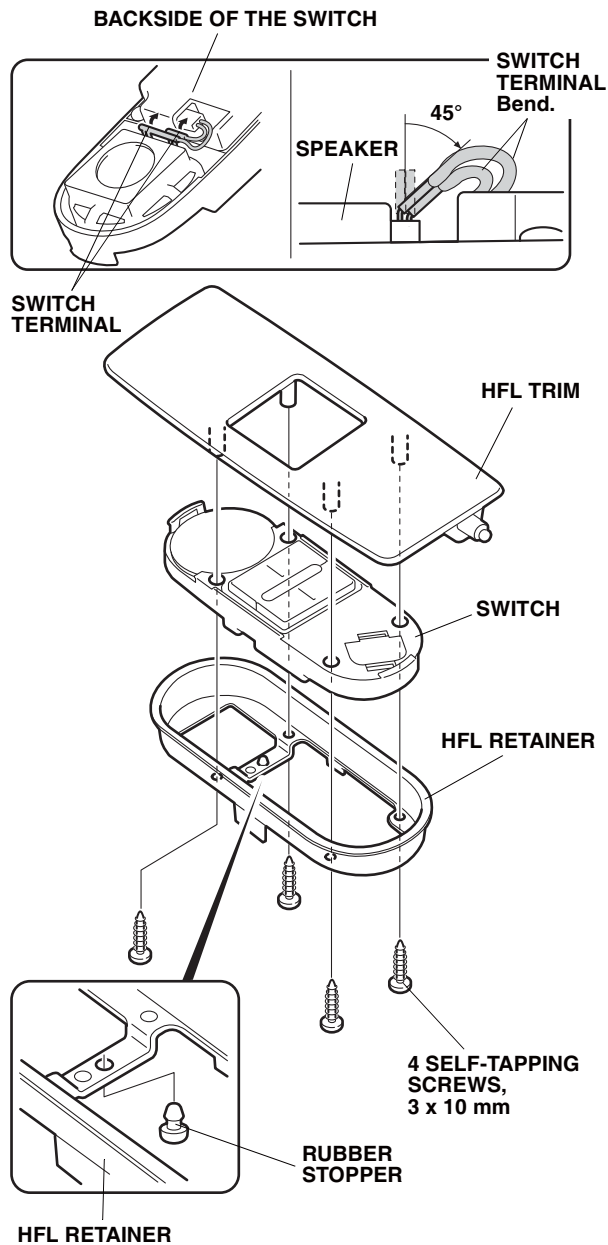


31. Using a utility knife, trim the HFL retainer as shown.



## Installing the Switch

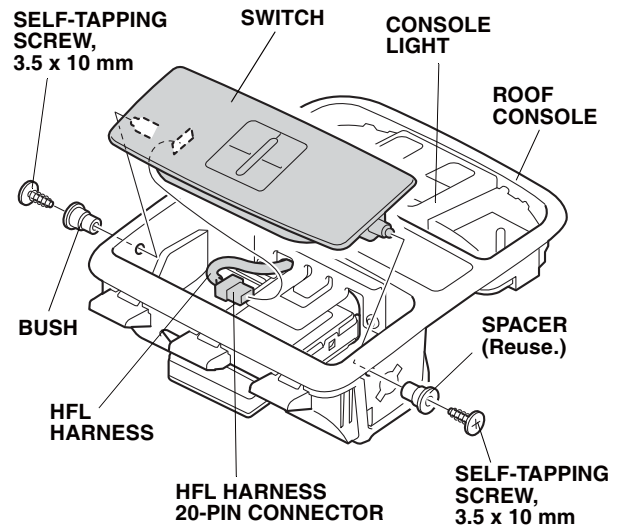
32. Bend the switch terminal as shown.



33. Insert the rubber stopper to the HFL retainer.

34. Assemble HFL retainer, switch, and HFL trim with four 3 x 10 mm self-tapping screws.

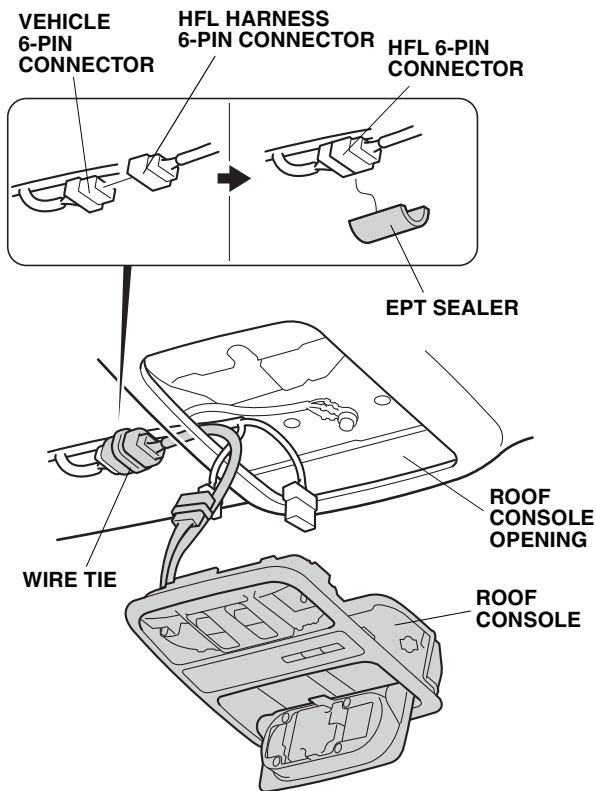
35. Reinstall the console light, trim and unit to the roof console.



36. Plug the HFL harness 20-pin connector into the switch.

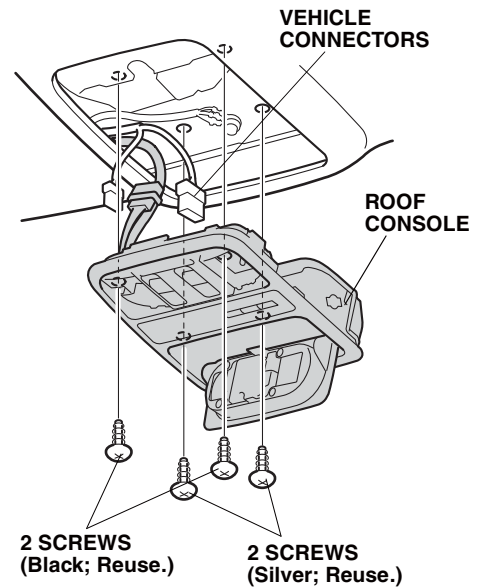
37. Install the switch assembled in step 34 to the roof console with two 3.5 x 10 mm self-tapping screws, one bushing, and one spacer removed in step 8.

38. Plug the HFL harness 6-pin connector into the vehicle 6-pin connector.



39. Wrap one EPT sealer around the HFL 6-pin connector.
40. Secure the HFL 6-pin connector to the vehicle harness with one wire tie.

41. Plug the vehicle connectors to the roof console. Reuse the two screws (Black) and the two screws (Silver) to reinstall the roof console.



42. Check that all wire harnesses are routed properly and all connectors are plugged in.
43. Reinstall all removed parts. Check that all clips and other fasteners are installed securely.
44. Reconnect the negative cable to the battery.
45. Enter the customer's audio system or navigation system (if equipped) anti-theft code.
46. Reset the clock (for vehicles without navigation).