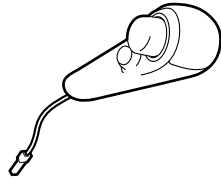
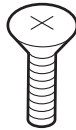


PARTS LIST

Select knob



2 Screws

**TOOLS AND SUPPLIES REQUIRED**

Phillips screwdriver

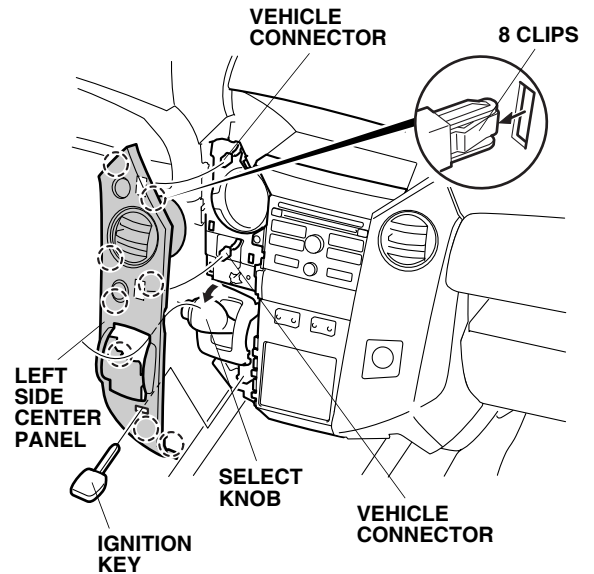
Torque screwdriver T/N CDI 401 SM

INSTALLATION

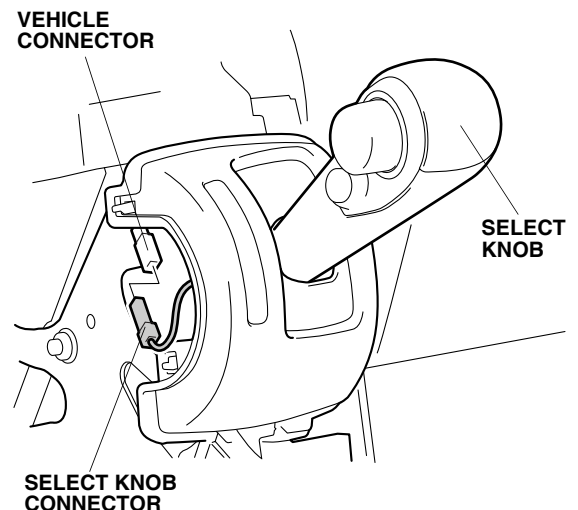
Customer Information: The information in this installation instruction is intended for use only by skilled technicians who have the proper tools, equipment, and training to correctly and safely add equipment to your vehicle. These procedures should not be attempted by "do-it-yourselfers."

Removing the Vehicle Parts

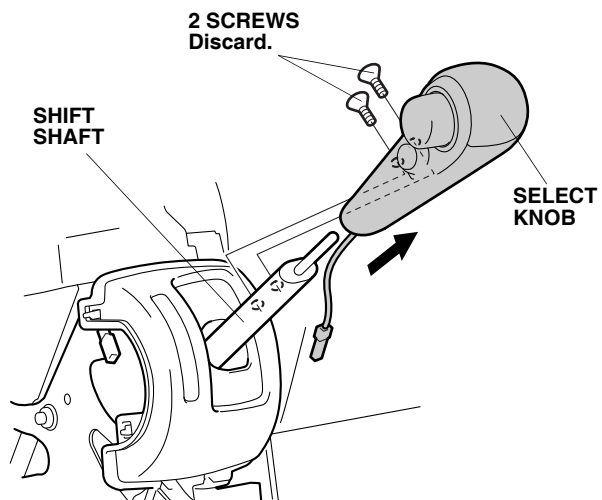
1. Shift the select knob to "D" position by pressing down on the shift lock stopper with the ignition key. Remove the left side center panel (eight clips and unplug the vehicle connectors).



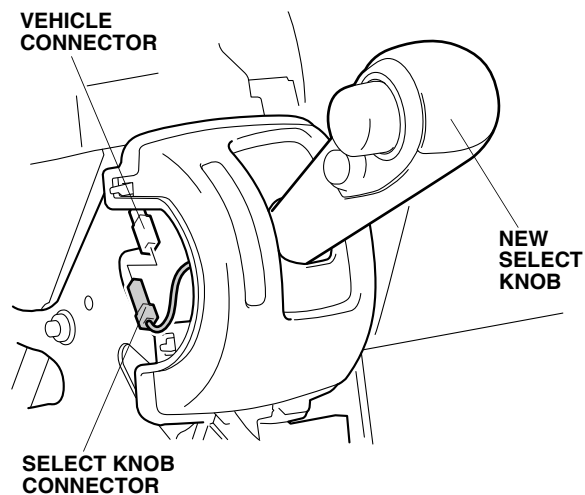
2. Unplug the select knob connector from the vehicle connector.



- Remove the two screws from the select knob, and remove the select knob by pulling it up from the shift shaft.

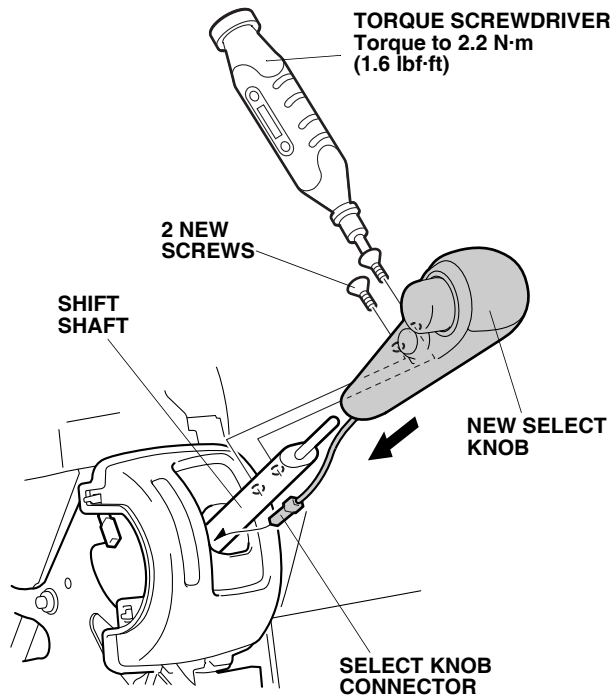


- Plug the new select knob connector into the vehicle connector.



Installing the Select Knob

- Route the select knob connector as shown, install the new select knob to the shift shaft with the two new screws. Using a torque screwdriver, torque the two new screws to 2.2 N·m (1.6 lbf-ft).



- Reinstall the left side center panel.

