



# INSTALLATION INSTRUCTIONS

Accessory	Application	Publications No.
<b>SECURITY SYSTEM</b>	<b>2007 S2000</b>	<b>All 33378</b>
		Issue Date
		<b>AUG 2006</b>

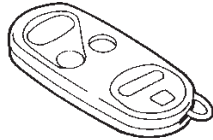
Accessory	Application	Publications No.
<b>SECURITY SYSTEM</b>	<b>2007 S2000</b>	<b>All 33378</b>
		Issue Date
		<b>AUG 2006</b>

Accessory	Application	Publications No.
<b>SECURITY SYSTEM</b>	<b>2007 S2000</b>	<b>All 33378</b>
		Issue Date
		<b>AUG 2006</b>

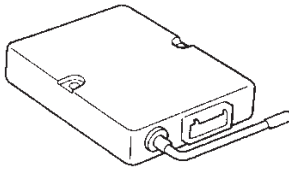
## PARTS LIST

**Security System:  
P/N 08E51-S84-100**

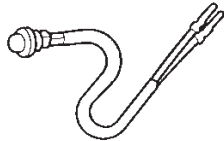
2 Remote controls



Control unit



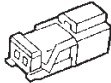
LED  
(Not used)



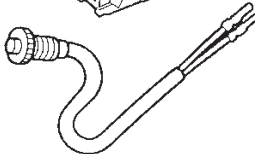
Push nut  
(Not used)



2-Pin connector (for LED)  
(Not used)



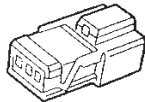
Disarm switch



Window decal



3-Pin connector  
(For disarm switch)



Nut, 12 mm



Washer



Accessory user's  
information manual

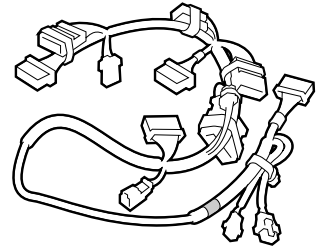


2 Washer-screws, 4 x 30 mm

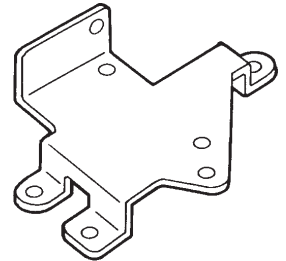


## Attachment Kit: P/N 08E55-S2A-101

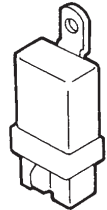
Security system harness



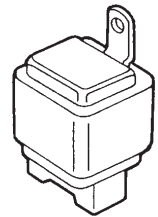
Control unit bracket



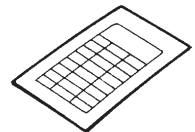
Relay, 4-pin



Relay, 6-pin



Fuse label



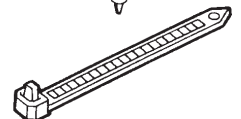
4 Grommets



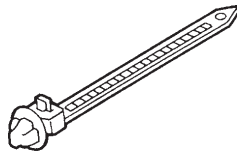
4 Self-tapping screws



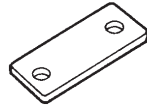
9 Wire ties



Wire tie with clip



Antenna bracket



Washer-bolt, 6 x 12 mm



Flange nut, 6 mm



### TOOLS AND SUPPLIES REQUIRED

Small flat-tip screwdriver

Phillips screwdriver

Center punch

Eye protection (face shield, safety goggles, etc.)

Drill

5.5 mm and 12 mm Drill bits

Tape measure

File

Felt-tip pen

Ratchet

10 mm, 12 mm, and 14 mm Sockets

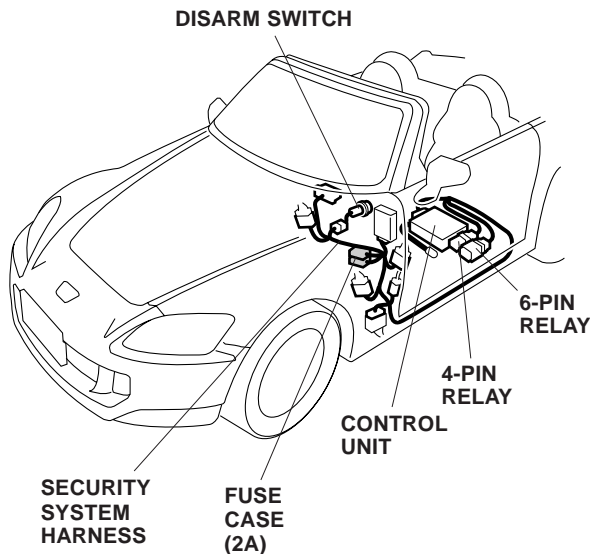
Piece of cardboard

Diagonal cutters

Electrical tape

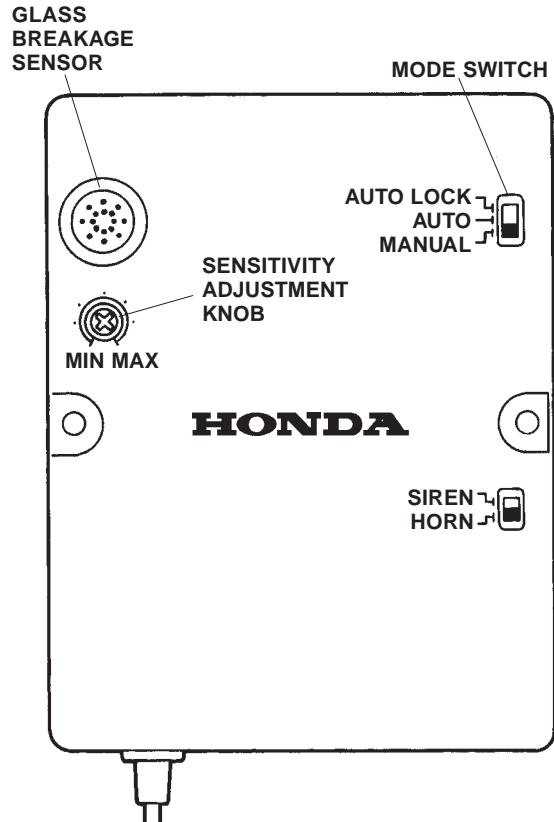
Torque wrench

### Illustration of Security System Installed on the Vehicle



### Adjusting the Control Unit

Use a small flat-tip screwdriver to change the mode switch and the horn/siren switch and to adjust sensitivity. The horn/siren switch must be set in the "HORN" position.



#### Mode Switch:

- Set the mode switch according to the customer's choice.
- Refer to the owner's manual for the explanation of each mode.

#### Glass Breakage Sensor:

Do not attach anything like scotch tape over the holes; this is a microphone pickup.

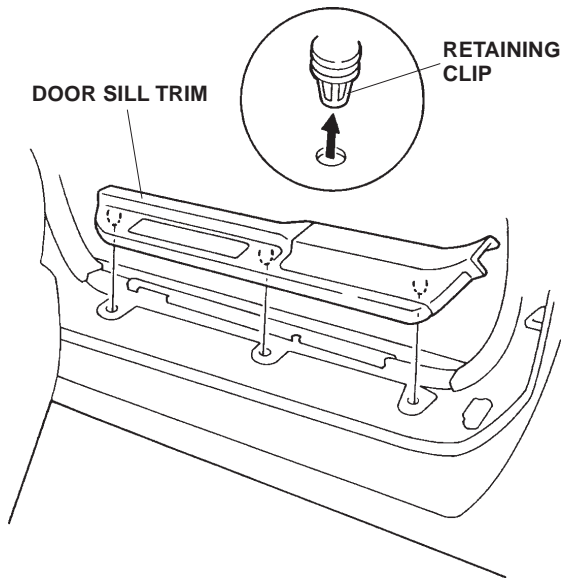
#### Sensitivity Adjustment Knob:

- Adjust the sensitivity only if the customer requests it; the sensitivity adjustment of the glass breakage sensor is factory-set.
- Be careful when you adjust the sensitivity; if you raise the sensitivity too much, the security system can give a false alarm, and if the sensitivity is too low, the security system may not work even if glass is broken.

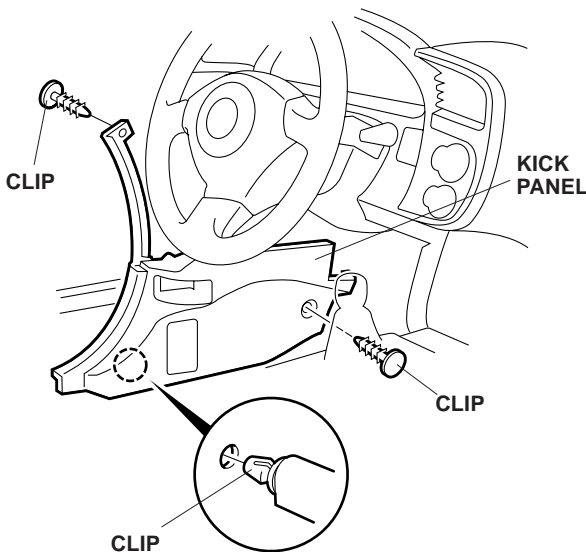
## INSTALLATION

**Customer Information:** The information in this Installation Instruction is intended for use only by skilled technicians who have the proper tools, equipment, and training to correctly and safely add equipment to your vehicle. These procedures should not be attempted by "do-it-yourselfers."

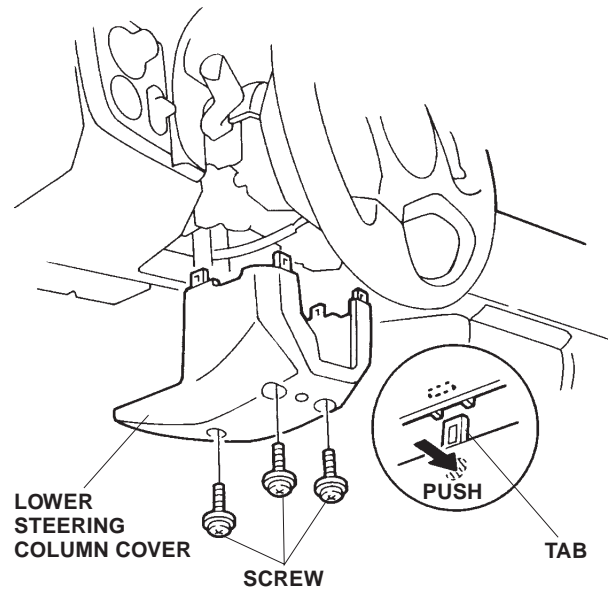
1. Make sure you have the anti-theft code for the radio, then write down the radio station presets.
2. Disconnect the negative cable from the battery.
3. Remove the front left door sill trim (three retaining clips).



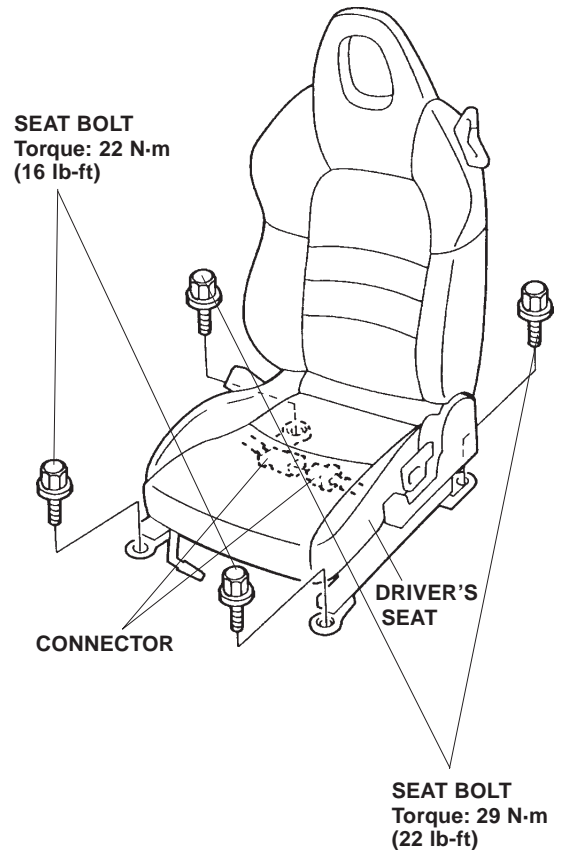
4. Remove the left kick panel (three clips).



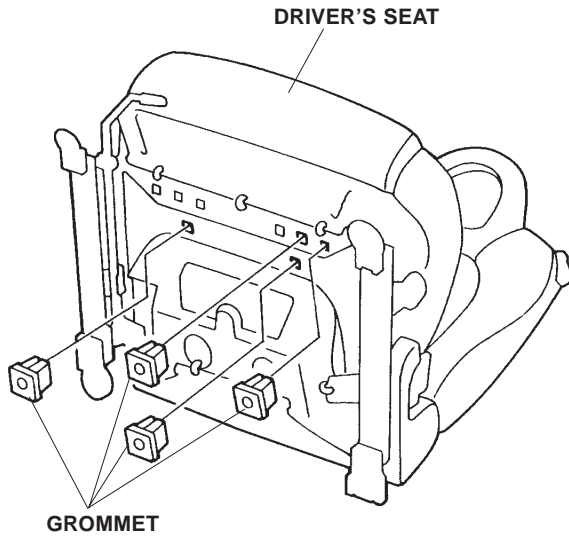
5. Remove the lower steering column cover (three screws, and pull gently to release the four tabs).



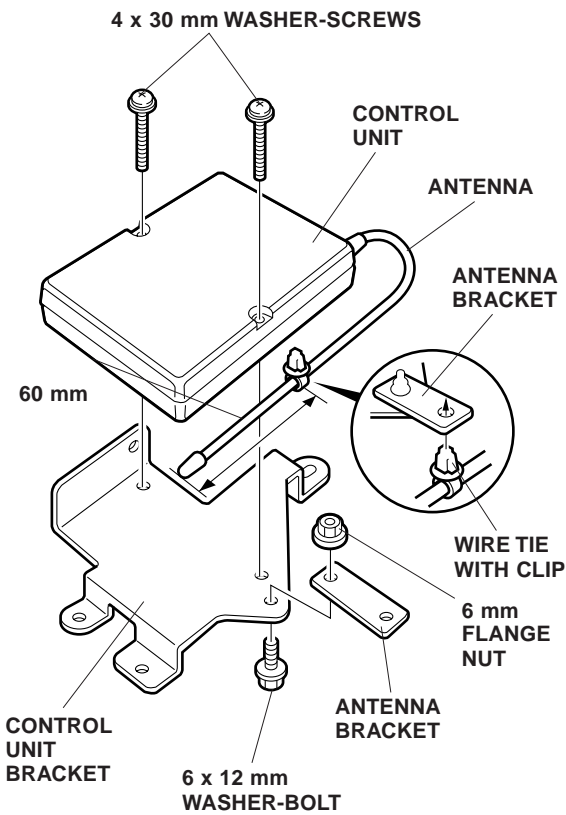
6. Remove the driver's seat (four bolts, and unplug the connector). Place the seat on a piece of cardboard.



7. Push the four grommets into the square holes in the bottom of the driver's seat cushion.

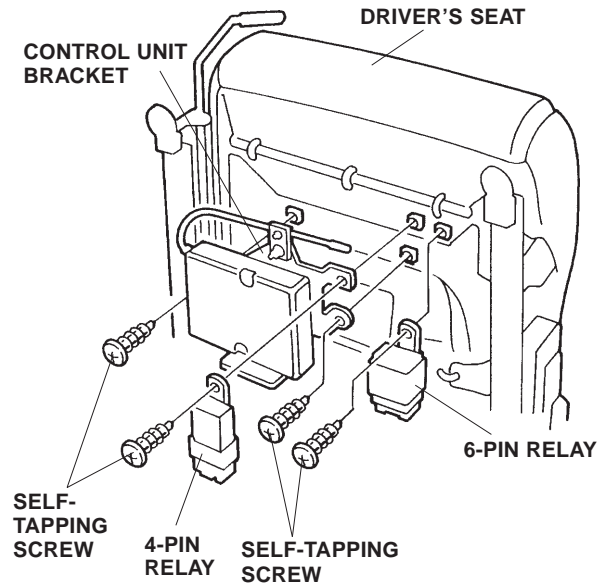


8. Install the control unit on the control unit bracket with the two 4 x 30 mm washer-screws.
9. Install the antenna bracket on the control unit bracket with the one 6 x 12 mm washer-bolt and the 6 mm flange nut.



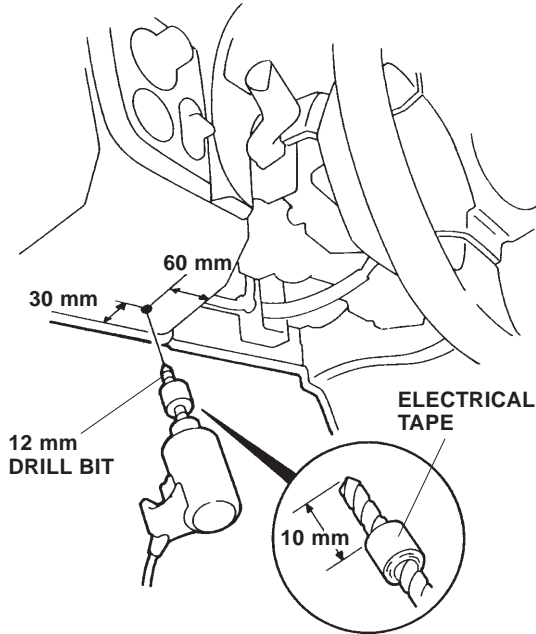
10. Attach one wire tie with clip to the antenna, then push the clip into the hole in the antenna bracket.

11. Install the control unit bracket and the 4-pin relay onto the bottom of the driver's seat cushion with the three self-tapping screws.



12. Install the 6-pin relay onto the bottom of the driver's seat cushion with one self-tapping screw.

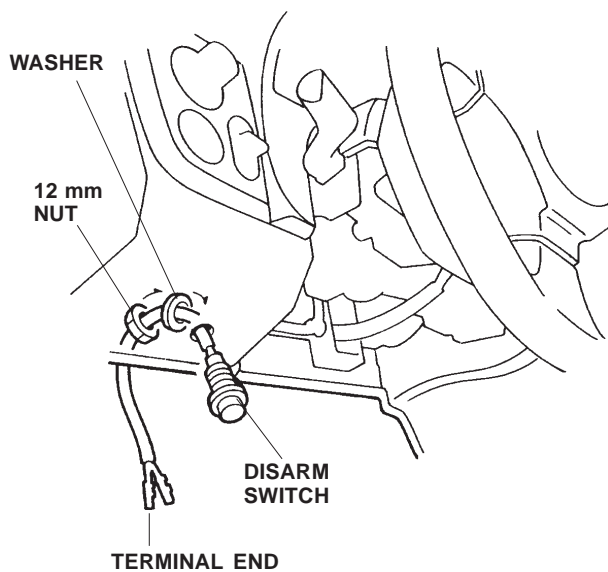
13. Under the dash on the driver's side of the vehicle, measure and mark the bottom of the dashboard.



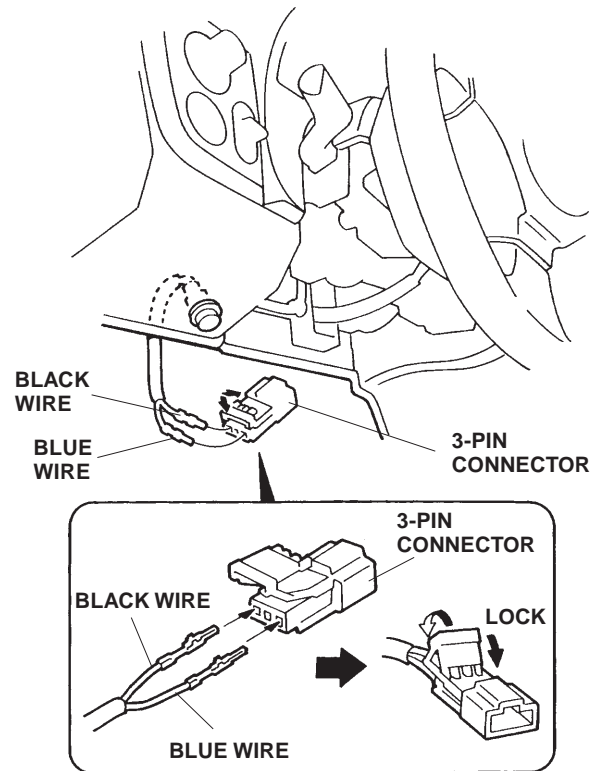
14. While wearing eye protection, lightly center-punch the mark and drill a 12 mm hole:

- Wrap electrical tape around the end of the 5.5 mm and 12 mm drill bits about 10 mm from the tip.
- First drill a pilot hole with a 5.5 mm drill bit, then finish with a 12 mm drill bit.
- Remove all burrs with a file.

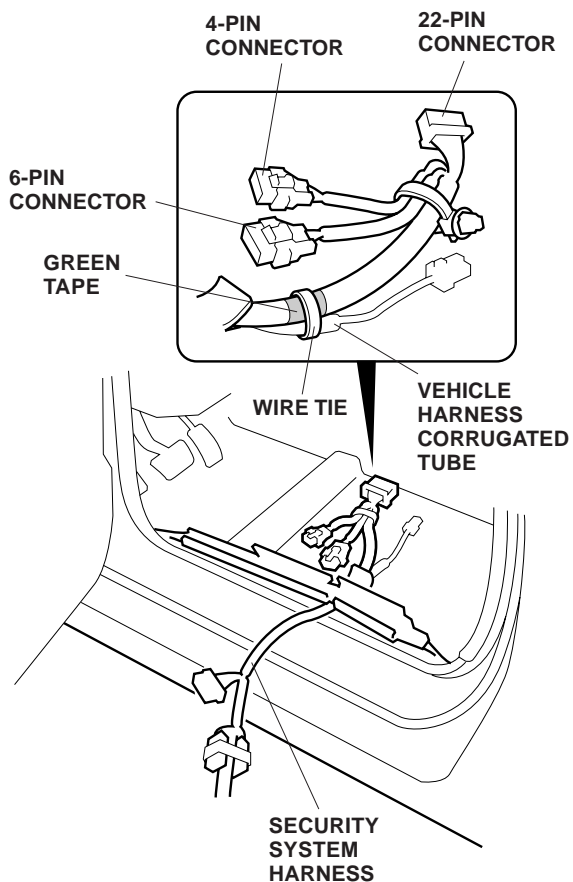
15. Route the terminal ends from the disarm switch through the hole you just drilled, and secure it with the washer and the 12 mm nut from the kit.



16. Get the 3-pin connector included in the kit. Firmly push the disarm switch terminals into the 3-pin connector until they click into position, then lower the lock.

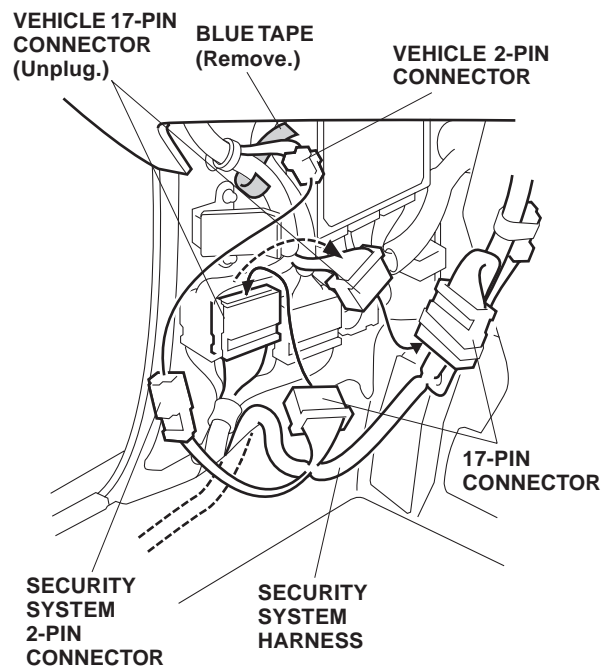


- On the driver's side, lift up the floor carpet, and route the 22-pin, 4-pin, and 6-pin connectors from the security system harness out through the cutout in the floor carpet.



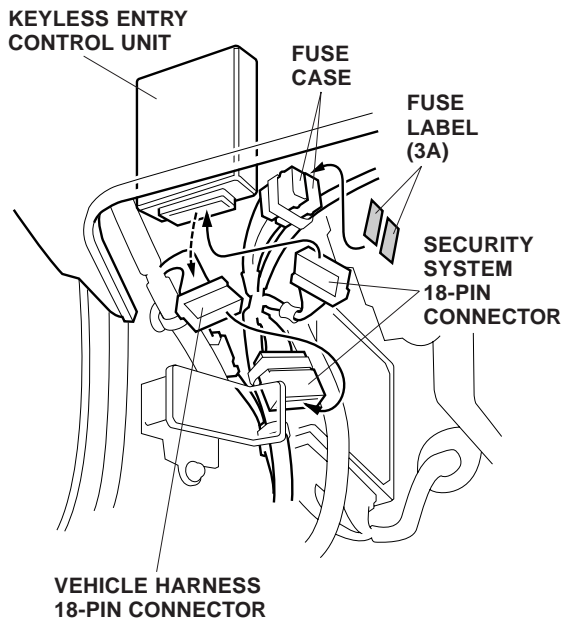
- Secure the security system harness to the corrugated tube of the vehicle harness with one wire tie at the green tape.

- Route the two 17-pin connectors from the security system harness forward and under the carpet.

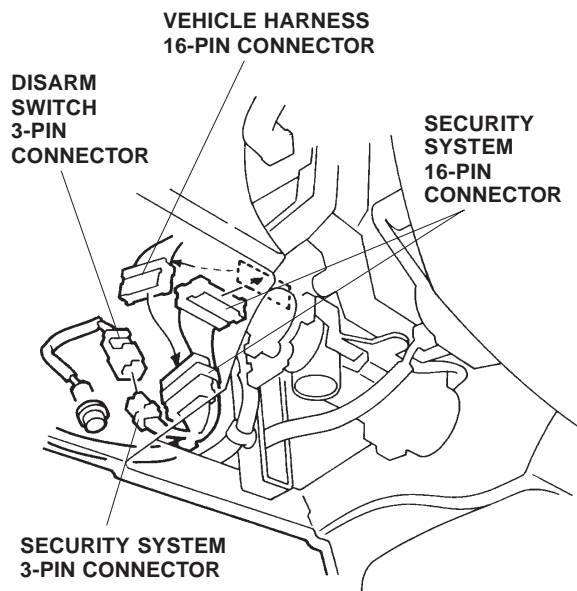


- Next to the hood opener lever, locate the two vehicle harness 17-pin connectors. Unplug the vehicle harness 17-pin connector, and plug the security system harness 17-pin connectors in between.
- Remove the blue tape from the vehicle 2-pin connector, and plug in the vehicle 2-pin connector into the security system harness 2-pin connector.

- Attach the two (3A) fuse labels to the security system harness fuse case.

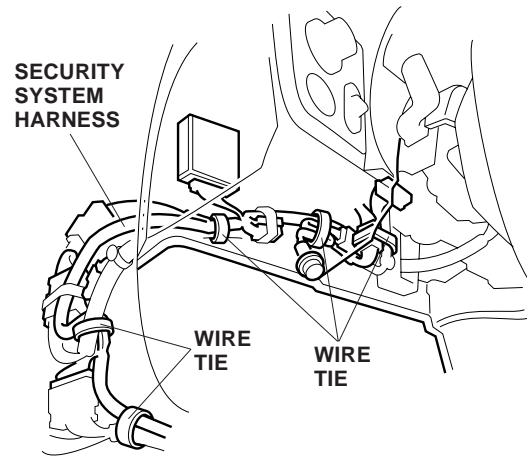


- Unplug the vehicle 18-pin connector from the keyless entry control unit, and plug the security system harness 18-pin connectors in between.
- Unplug the light switch 16-pin connector, and plug the security system harness 16-pin connectors in between.

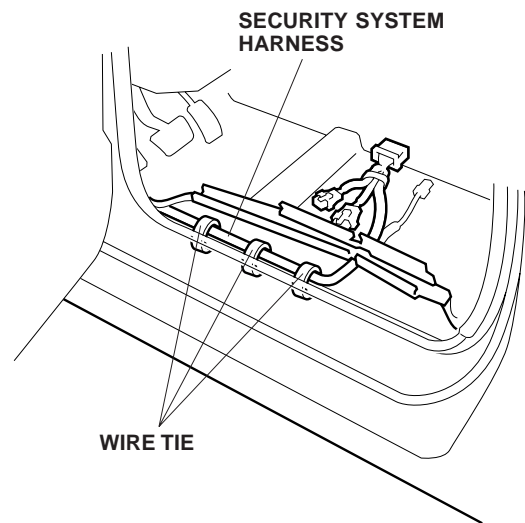


- Plug the disarm switch 3-pin connector into the security system harness.

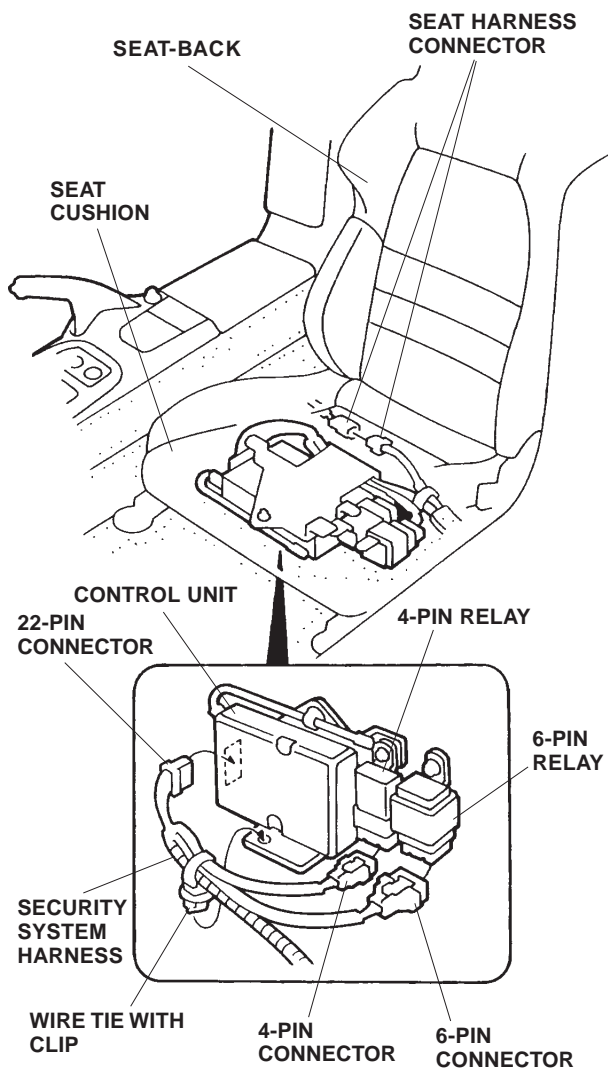
- Secure the security system harness to the vehicle harness with five wire ties in the areas shown.



- Along the door opening, secure the security system harness to the vehicle harness with three wire ties.



29. Tilt the driver's seat-back forward, then reach under the front of the seat, and plug the security system harness 22-pin connector into the control unit. Plug the 4-pin and 6-pin connectors into the 4-pin and 6-pin relays.



30. Push the wire tie with clip of the security system harness into the hole in the control unit bracket.
31. Plug in the seat harness connectors, then reinstall the driver's seat. Torque the rear seat bolts of the front seat to 29 N·m (22 lb-ft), and torque the front seat bolts of the front seat to 22 N·m (16 lb-ft).

32. Check that all wire harnesses are routed properly and all connectors are plugged in.
33. Reinstall all removed parts.
34. Reconnect the negative cable to the battery.
35. Reset the radio station presets and the clock.
36. Check operation of the security system according to the Security System Owner's Manual supplied. The LED indicator is located in the instrument cluster.